

FEATURES

- Easy maintenance
- Lower cost
- Wide view area to inspect the fluid
- Available in almost all materials of construction



PRODUCT OVERVIEW

The model FL81 sight flow indicator is a full view, flanged sight flow indicator. It provides full 360 degree viewing of process media for maximum visibility of system fluid. Units are best suited for vertical applications, but horizontal mounting is allowed when no mechanical force is exerted on the glass cylinder.

TECHNICAL SPECIFICATION

Size	: 1/2" to 12" [15mm to 300mm]
End connections	: 150# ASME flanges
Flange material	: Carbon steel or 316 SS (other materials available as an option)
Tube material	: Tempered borosilicate
O-ring	: PTFE, Viton, Silicone, EPDM
Glass Length	: 100mm To 200mm
Pressure Rating	: PN 6

DESIGN STANDARD

Design & testing as per Mfg. standard

Flange drilling as per ANSI B 16.5 / BS 10 Table / DIN Std

OPTIONS AND ACCESSORIES

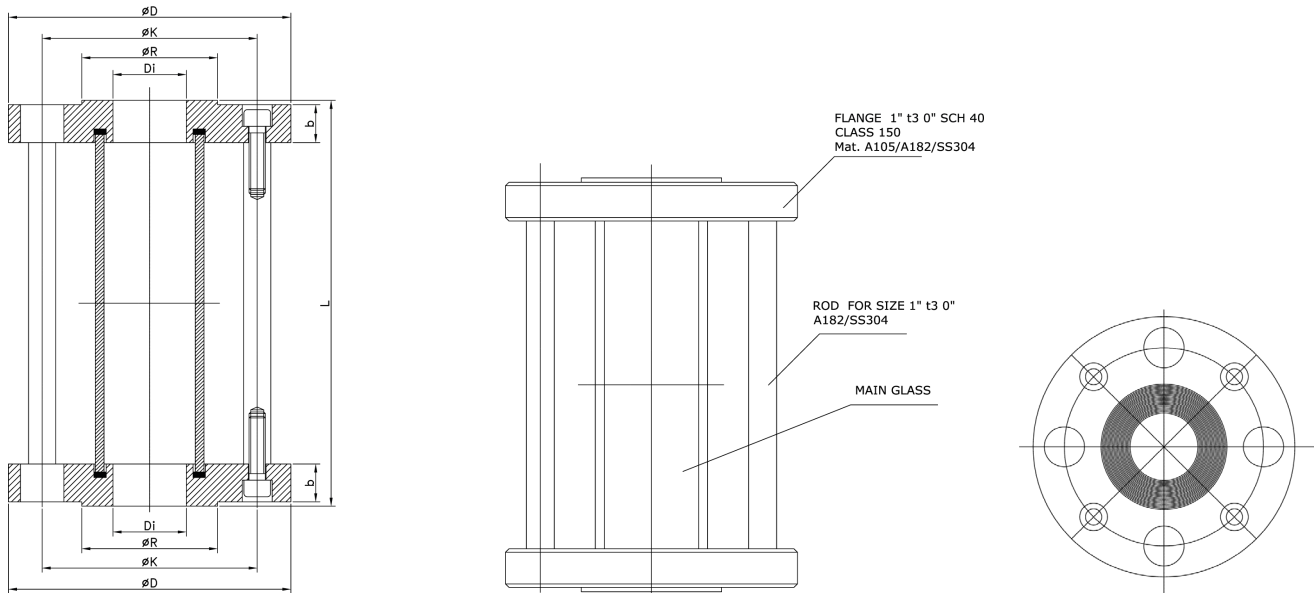
Impact resistant protective shield

Non-standard overall lengths (either shorter or longer)

OPERATING CONDITIONS

Standard units are designed for full vacuum and pressure ratings as shown in the table above. Temperature rating is 180°C, but may be less based on gasket material selection.

DIMENSIONAL DRAWING



ORDERING CODES

1. SIZE

005	1/2"	005
007	3/4"	
010	1"	
020	2"	
025	2.5"	
030	3"	
040	4"	
060	6"	
080	8"	
100	10"	
120	12"	

4. SIGHT TUBE

A	Borosilicate	A
B	Acrylic	

5. ACCESSORIES

0	None	0
	Per order	

6. CONFIGURATION

00	Standard	00
01	Special	

2. END FLANGE

A	Carbon Steel	A
B	304 SS	
C	316L SS	
D	Other	

3. SEAL O-RING

01	EPDM	01
02	Silicone	
03	Viton®	
04	PTFE	

Ordering Example : FL81-005-A-01-A-0-00