

FEATURES

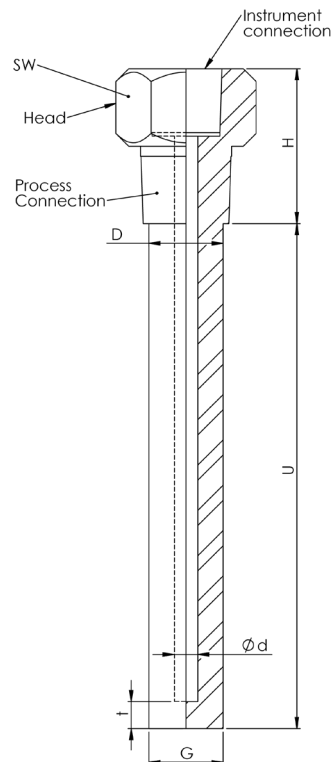
- Solid bar-stock drilled design
- 3 different shank styles
- Threaded process connection

APPLICATIONS

- Air & flue gas
- Tanks & vessels
- Oil & Gas applications
- Corrosive environments
- Power & Steel industries
- HVAC, Air filters & utilities
- On-shore/Off-shore application

Tapered Shank**STANDARD SPECIFICATIONS**

Shank form	: Tapered
Material	: AISI 316 SS
Instrument connection	: 1/2" NPT (F) / 1/2" BSP (F)
Bore diameter	: 7 mm
Lag extension	: 50 mm
Root diameter	: By order
Tip diameter	: By order
Immersion length	: By order
Tip thickness	: 5 mm
Process connection	: 1/2" NPT (M)

DIMENSIONAL DRAWING

ORDERING CODES

1. SHANK FORM

T	Tapered	T
---	---------	---

2. MATERIAL

MB	Carbon Steel / ASTM A105	MG	AISI 316L SS	MB
MC	AISI 304SS	MQ	Inconel 600	
MF	AISI 316 SS	MV	Titanium	
MM	Monel			
MO	Hastelloy C-276			
MR	Inconel 625			
MI	AISI 321 SS			

3. INSTRUMENT CONNECTION

05N	¾" NPT (F)	04N	½" NPT (F)	05N
02B	¼" BSP (F)	06N	1" NPT (F)	
05B	¾" BSP (F)	04B	½" BSP (F)	
04M	M20 x 1.5 mm (F)	06B	1" BSP (F)	

4. PROCESS CONNECTION

14N	½" NPT (M)	15N	¾" NPT (M)	14N
16N	1" NPT (M)	17N	1.5" NPT (M)	
18N	2" NPT (M)	14B	½" BSP (M)	
15B	¾" BSP (M)	16B	1" BSP (M)	
17B	1.5" BSP (M)	18B	2" BSP (M)	
14M	M20 x 1.5 mm (M)			

5. HEAD SIZE

XX	Mention in 'mm'	27
----	-----------------	----

6. LAG EXTENSION ("H")

XXX	35 mm up to 250 mm	50
-----	--------------------	----

7. ROOT DIAMETER ("G")

XX.X	Mention in 'mm'	21
------	-----------------	----

8. TIP DIAMETER ("D")

XX.X	Mention in 'mm'	21
------	-----------------	----

9. BORE DIAMETER ("d")

B	7 mm	C	9.0 mm	B
D	9.6 mm	F	11 mm	
G	13 mm			

10. IMMERSION LENGTH ("U")

XXXX	50 mm up to 1000 mm	100
------	---------------------	-----

11. STEP STYLE

T	Tapered shank	T
---	---------------	---

12. TIP THICKNESS ("t")

M	5mm	N	6.35 mm(¼")	M
O	10mm			

13. OTHER OPTIONS

XI	Plug & chain in SS	
XL	Marking by laser	XL
TC	Material test certificate	
TH	Hydro test certificate	
TN	NACE standards	
TW	WFC as per PTC 19.3TW:2010	

Ordering Example : W51-T-MB-05N-14N-27-50-21-21-B-100-T-M-XL

NOTES

- Other pipe/tube sizes, «U» lengths, connections are available. please contact factory for details.
- Please refer "Technical Guidance Sheet» for the proper selection of connections according to Head size and Outer diameter of the well.