

FEATURES

- Solid bar-stock drilled design
- 3 different shank styles
- Threaded process connection

APPLICATIONS

- Air & flue gas
- Tanks & vessels
- Oil & Gas applications
- Corrosive environments
- Power & Steel industries
- HVAC, Air filters & utilities
- On-shore/Off-shore application

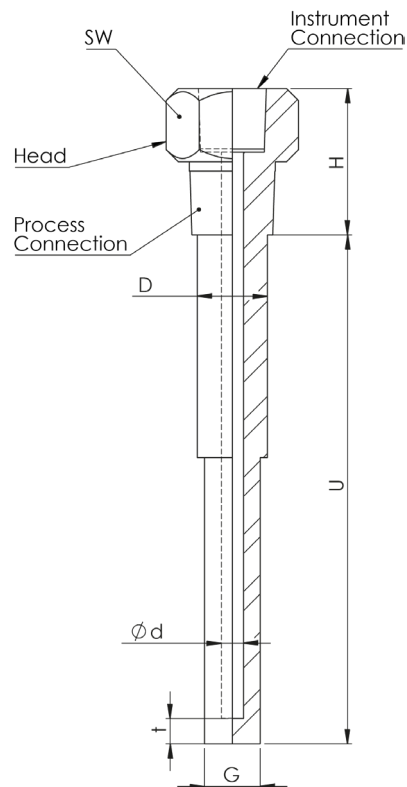
Stepped Shank



STANDARD SPECIFICATIONS

Shank form	: Stepped
Material	: AISI 316 SS
Instrument connection	: ½" NPT (F)
Bore diameter	: 7 mm
Lag extension	: 50 mm
Root diameter	: By order
Tip diameter	: By order
Immersion length	: By order
Tip thickness	: 5 mm
Process connection	: ½" NPT (M)

DIMENSIONAL DRAWING



ORDERING CODES

1. SHANK FORM

E	Stepped	E
---	---------	---

2. MATERIAL

MB	Carbon Steel / ASTM A105	MG	AISI 316L SS	MB
MC	AISI 304SS	MV	Titanium	
MF	AISI 316 SS			
MM	Monel			
MO	Hastelloy C-276			
MR	Inconel 625			
MI	AISI 321 SS			

3. INSTRUMENT CONNECTION

05N	¾" NPT (F)	04N	½" NPT (F)	02N
02B	¼" BSP (F)	06N	1" NPT (F)	
05B	¾" BSP (F)	04B	½" BSP (F)	
04M	M20 x 1.5 mm (F)	06B	1" BSP (F)	

4. PROCESS CONNECTION

14N	½" NPT (M)	15N	¾" NPT (M)	14N
16N	1" NPT (M)	17N	1.5" NPT (M)	
18N	2" NPT (M)	14B	½" BSP (M)	
15B	¾" BSP (M)	16B	1" BSP (M)	
17B	1.5" BSP (M)	18B	2" BSP (M)	
14M	M20 x 1.5 mm (M)			

5. HEAD SIZE

XX	Mention in 'mm'	27
----	-----------------	----

6. LAG EXTENSION ("H")

XXX	35 mm up to 250 mm	50
-----	--------------------	----

7. ROOT DIAMETER ("G")

XX.X	Mention in 'mm'	21
------	-----------------	----

8. TIP DIAMETER ("D")

XX.X	Mention in 'mm'	21
------	-----------------	----

9. BORE DIAMETER ("d")

B	7 mm	C	9.0 mm	B
D	9.6 mm	F	11 mm	
G	13 mm			

10. IMMERSION LENGTH ("U")

XXXX	50 mm up to 1000 mm	100
------	---------------------	-----

11. STEP STYLE

E	Stepped shank	E
---	---------------	---

12. STEP / TAPER LENGTH ("S")

XXX	Mention in 'mm'	XXX
-----	-----------------	-----

13. TIP THICKNESS ("t")

M	5mm	N	6.35 mm(¼")	M
O	10mm			

14. OTHER OPTIONS

XI	Plug & chain in SS	
XL	Marking by laser	XL
TC	Material test certificate	
TH	Hydro test certificate	
TN	NACE standards	
TW	WFC as per PTC 19.3TW:2010	

Ordering Example : W31-E-MB-02N-14N-27-50-21-21-B-100-E-M-XL

NOTES

1. Other pipe/tube sizes, «U» lengths, connections are available. please contact factory for details.
2. Please refer "Technical Guidance Sheet" for the proper selection of connections according to Head size and Outer diameter of the well.