

FEATURES

- Rugged construction
- Stainless steel case
- Dry / liquid filled

APPLICATIONS

- Hydraulic & pneumatic
- Pumps & compressors
- Diesel engines
- Water applications

**Economical / Crimped ring
pressure gauge****STANDARD PARAMETERS**

Accuracy	: CL 1.6
Ambient temperature	: -40...+65°C (without dampening liquid) -20...+65°C (with dampening liquid)
Service temperature	: 150°C max.
Pressure limits	: Steady pressure up to %75 of FS value Short time 1.3 x FS value for range up to 100 bar Short time 1.15 x FS value for ranges 100 up to 600 bar Short time 1.1 x FS value for rannges above 600 bar
Standard	: EN837-1

MATERIAL OF CONSTRUCTION

Sensing element	: Bourdon Tube (C - type or Helical)
Case & Ring material	: AISI 304 SS (Bayonet type)
Bourdon tube & Socket	: Phosphor Bronze
Movement mechanism	: Copper Alloy
Dial	: Aluminum, black graduation on white background
Pointer	: Fixed, aluminum, black powder coated
Gaskets, Blow off disc & filling plug	: Silicon gasket & Neoprene filling plug
Window	: Glass

STANDARD SPECIFICATIONS

Dial size	: 40mm (1½") / 50mm (2") / 63mm (2½")
Range	: -1...1,000 bar
Mounting pattern	: Direct, Bottom connection
Process connection	: ¼" NPT (M)
Ingress protection	: IP 65
Execution	: Dry but fillable, glycerin

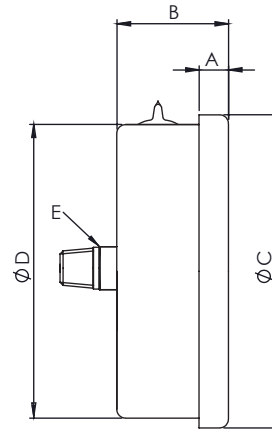
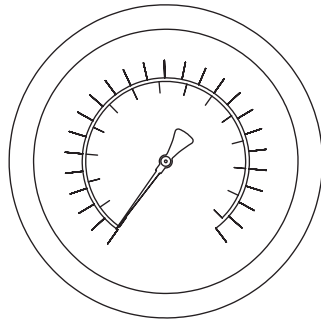
STANDARD SPECIFICATIONS : DAMPENING LIQUID FILLED, GLYCERIN

Window	: Glass
Dampening liquid	: Glycerin

TEMPERATURE EFFECT

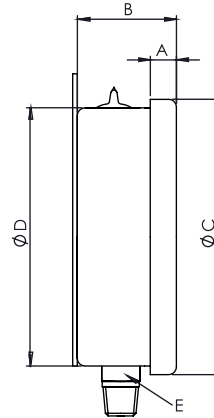
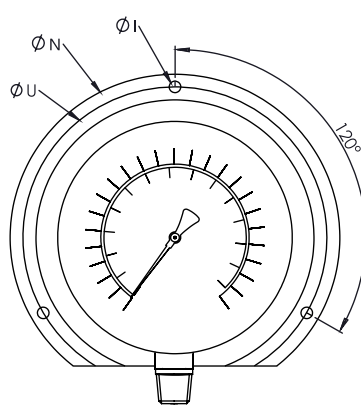
When temperature of the measuring system deviates from reference temperature (+20°C) max error $\pm 0.4\%$ / 10K of true scale value. (According to EN837)

Type A



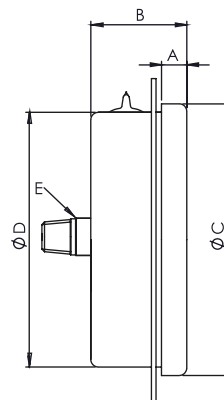
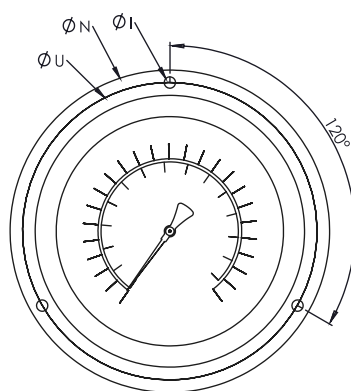
DN	A	B	C	D	E
63	6	31	68	61	SW15
100	9	37	109	98	SW22

Type C



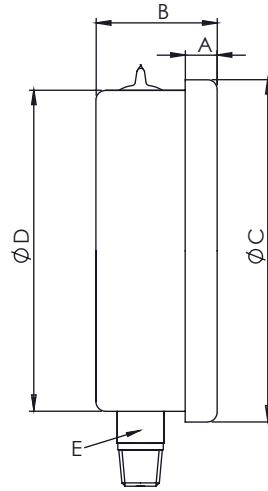
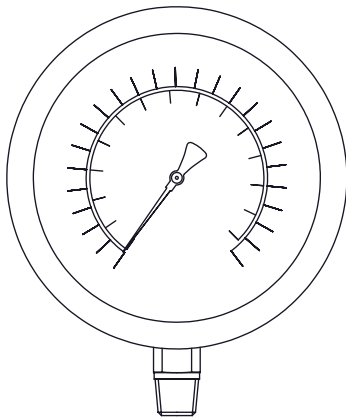
DN	A	B	C	D	E	U	I	N
63	6	31	68	61	SW15	71	3	85
100	9	37	109	98	SW22	104	7	130

Type H



DN	A	B	C	D	E	U	I	N
63	6	31	68	61	SW15	71	3	85
100	9	37	109	98	SW22	104	7	130

Type J



DN	A	B	C	D	E
63	6	31	68	61	SW15
100	9	37	109	98	SW22

ORDERING CODES

1. DIAL SIZE

02	50 mm / 2"	
03	63 mm / 2½"	03
05	100 mm / 4"	

2. RANGE

XXX	Refer "Range Table"	XXX
-----	---------------------	-----

3. MOUNTING PATTERN

A	Direct, Bottom connection	A
B	Panel/bracket mounting, Lower Back connection	
C	Wall/Surface/mounting, Bottom connection	
D	Lower, Back connection	
E	Panel/Front flange mounting, Lower Back connection	
H	Panel/Front flange mounting, Centre Back connection	
J	Centre, Back connection	
L	Panel/bracket mounting, Centre Back connection	

4. PROCESS CONNECTION

11N	1/8" NPT (M)	
12N	¼" NPT (M)	
14N	½" NPT (M)	
11B	1/8" BSP (M)	
12B	¼" BSP (M)	
13B	3/8" BSP (M)	13B
14B	½" BSP (M)	

Other thread size and standards available on request

5. INGRESS PROTECTION

ER	IP 65	ER
----	-------	----

6. EXECUTION

EA	Dry	
EB	Dry but fillable, glycerine	EB
EG	Dampening liquid filled, glycerine	

7. OTHER OPTIONS

EO	Dampening screw, Cu Alloy	EO
EZ	Pointer stop on dial	
GC	Safety glass	
XR	Custom designed dial	
XT	Dial tag marking	
TA	Calibration certificate	
G9	With Freon temperature scales	

Ordering Example : PG4-03-XXX-A-13B-ER-EB-EO

NOTE

For other connections, please contact factory.

STANDARD RANGES

RANGE	"bar"	"kg/cm ² "	"bar / psi"	RANGE	"psi"	RANGE	"kPa"	RANGE	"MPa"
0...0.6	B01	K01	N01	0...10	S01	0...60	E01	-	-
0...1	B02	K02	N02	0...15	S02	0...100	E02	0...0.1	M02
0...1.6	B03	K03	N03	0...25	S03	0...160	E03	0...0.16	M0.3
0...2.5	B05	K05	N05	0...35	S05	0...250	E05	0...0.25	M05
0...4	B06	K06	N06	0...90	S07	0...600	E07	0...0.6	M07
0...6	B07	K07	N07	0...150	S09	0...1000	E09	0...1	M09
0...10	B09	K09	N09	0...235	S11	0...1600	E11	0...1.6	M11
0...16	B11	K11	N11	0...365	S13	0...2500	E13	0...2.5	M13
0...25	B13	K13	N13	0...600	S16	0...4000	E14	0...4	M16
0...40	B16	K16	N16	0...800	S17	0...5000	E15	0...6	M17
0...60	B17	K17	N17	0...1000	S18	0...6000	E17	0...7	M18
0...70	B18	K18	N18	0...1500	S19	0...7000	E18	0...10	M19
0...100	B19	K19	N19	0...2300	S21	0...10000	E19	0...16	M21
0...160	B21	K21	N21	0...3600	S24	0...16000	E21	0...25	M24
0...250	B24	K24	N24	0...6000	S27	0...25000	E24	0...40	M27
0...400	B27	K27	N27	0...8700	S29	0...40000	E27	0...60	M29
0...600	B29	K29	N29	0...10000	S30	0...60000	E29	0...70	M30
0...700	B30	K30	N30	0...15000	S31	0...70000	E30	0...100	M31
0...1000	B31	K31	N31	0...23200	S34	-	-	0...160	M34
0...1600	B34	K34	N34	-	-	-	-	0.1...0	M37
-1...0	B37	K37	N37	-	-	-100...0	E37	-0.1...0.06	M38
-1...0.6	B38	K38	N38	-	-	-100...60	E38	-0.1...0.15	M39
-1...1.5	B39	K39	N39	-	-	-100...150	E39	-0.1...0.3	M42
-1...3	B42	K42	N42	-	-	-100...300	E42	-0.1...0.5	M43
-1...5	B43	K43	N43	-	-	-100...500	E43	-0.1...0.9	M45
-1...9	B45	K45	N45	-	-	-100...900	E45	-0.1...1.5	M47
-1...15	B47	K47	N47	-	-	-100...1500	E47	-0.1...2.4	M49
-1...24	B49	K49	N49	-	-	-100...2400	E49	-	-

NOTES

- Other scales & measurement units are available.
- Equivalent scales available in kg/cm², psi, kPa, MPa, bar/psi, kPa/bar, kPa/psi or any other special scales.
- Primary scales shall be in "BLACK" and secondary scales shall be "RED".
- Special scales, custom dial design, OEM/private logo printing is available, details contact our marketing team.