

FEATURES

- Single side static sustainable
- Static pressure 200 bar max.
- Dry / liquid filled

APPLICATIONS

- Liquid & gaseous media
- Corrosive environments
- Oil & Gas applications
- Chemical & Petrochemical
- Level measurement in closed tank
- Filter monitoring

Double Diaphragm**STANDARD PARAMETERS**

Accuracy*	: CL 1.6
Ambient temperature	: -40...+60°C (without dampening liquid) -20...+60°C (with dampening liquid)
Service temperature	: 150°C max.
Static pressure	: 16...60 mbar : 25 bar 100 mbar...25 bar : 100 bar
Over-pressure safety	: 400 bar for ranges 0.4...0 bar up to 40...0 bar
Pressure limits	: Steady pressure up to F.S value Fluctuating pressure up to 96% of F.S value
Standard	: EN837-3

MATERIAL OF CONSTRUCTION

Sensing element	: Diaphragm
Case & Ring material	: AISI 304 SS (Bayonet type)
Diaphragm	: AISI 316 SS
Chamber	: AISI 316 SS
Movement mechanism	: Stainless Steel
Transmission chamber dampening liquid	: Silicon oil
Chamber sealing gaskets	: NBR
Dial	: Aluminum, black graduation on white background
Pointer	: Micro-zero adjustable, aluminum, black powder coated
Gaskets & filling plug	: NBR
Window	: Safety Glass

STANDARD SPECIFICATIONS

Dial size	: DN100 / DN160
Range	: 0...16 mbar...40 bar
Mounting pattern	: Direct, Bottom connection
Process connection	: ¼" NPT (F) x 2 Nos (37mm center to center)
Ingress protection	: IP 65
Execution	: Dry / Dry but fillable

*At 20°C and Zero static pressure.

STANDARD SPECIFICATIONS : DAMPENING LIQUID FILLED, GLYCERIN

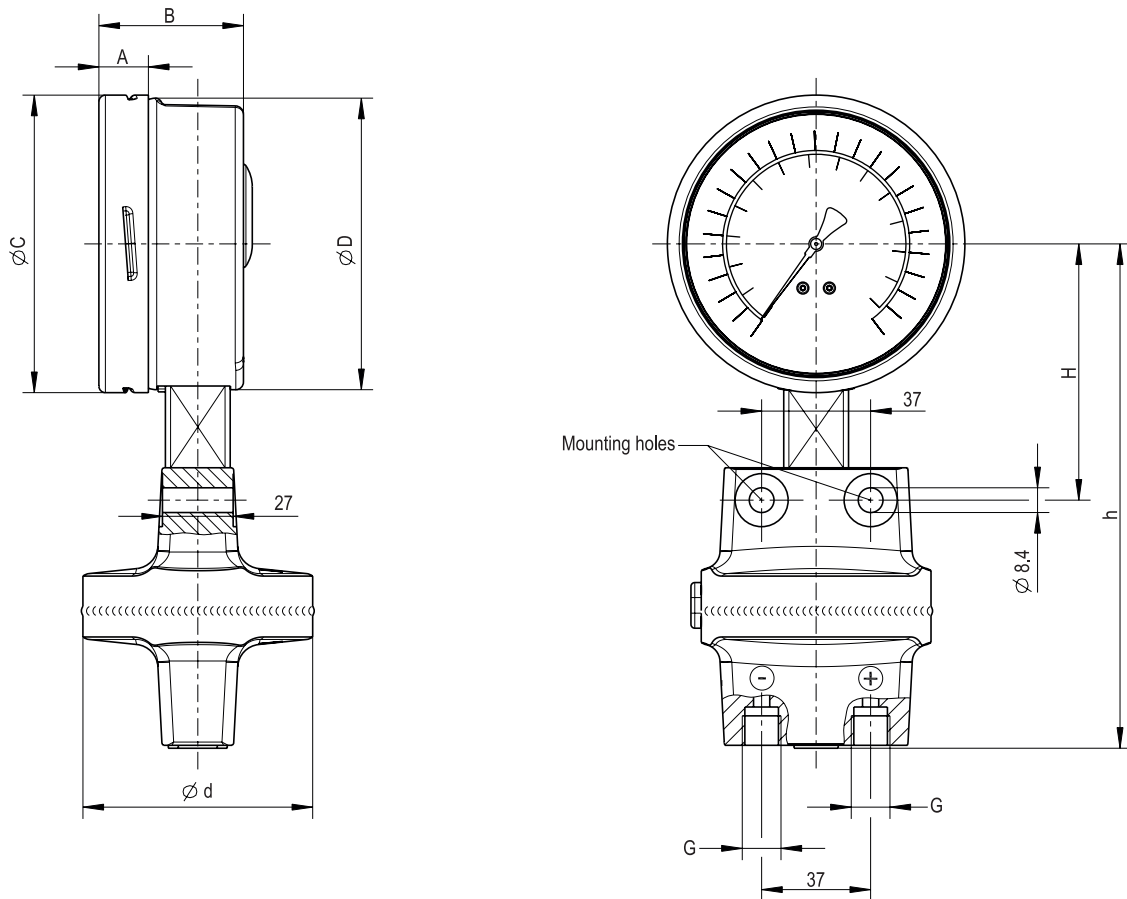
Accuracy	: CL 2.5
Window	: Safety glass
Dampening liquid	: Glycerin

TEMPERATURE EFFECT

When temperature of the measuring system deviates from reference temperature (+20°C) max error $\pm 0.6\%$ / 10K of true scale value. (According to EN837)

DIMENSIONAL DRAWING

Type A



DN	G	A	B	C	D	d	H	h
100	G $\frac{1}{4}$	16.9	49.7	101	98.5	75	83	178.5
160	G $\frac{1}{4}$	17.5	59	161	159	78	117	200

ORDERING CODES**1. DIAL SIZE**

05	100 mm / 4"	05
07	160 mm / 6"	

2. RANGE

XXX	Refer "Range Table"	XXX
------------	---------------------	------------

3. MOUNTING PATTERN

A	Direct, Bottom connection	A
G	2" Pipe/Yoke mounting, Bottom connection	

4. PROCESS CONNECTION

02N	1/4" NPT (F) x 2 Nos.	02N
13B	3/8" BSP (M) x 2 Nos.	
14B	1/2" BSP (M) x 2 Nos.	
14M	M20 X 1.5 mm (M) x 2 Nos.	
14N	1/2" NPT (M) x 2 Nos.	
Other thread size and standards available on request		

* Male threads through adaptors

5. INGRESS PROTECTION

ER	IP 65	ER
-----------	-------	-----------

6. EXECUTION

EA	Dry	EA
EB	Dry but fillable	
EG	Glycerin oil	
EH	Dampening liquid, silicon oil	

7. OTHER OPTIONS

BA	Case & Ring in AISI 316 SS	BA
DM	Monel diaphragm	
DO	Hastelloy C-276 diaphragm	
GW	Maximum reading pointer	
TA	Calibration certificate	
TC	Material test certificate	
TN	NACE standards	
XF	SS tag plate	
XR	Custom designed dial	
XT	Dial tag marking	

Ordering Example : PG13-700-05-XXX-A-02N-ER-EA-BA

STANDARD RANGES

RANGE	"bar"	"kg/cm ² "	"bar / psi"	RANGE	"psi"	RANGE	"kPa"	RANGE	"MPa"
0...0.6	B01	K01	N01	0...10	S01	0...60	E01	-	-
0...1	B02	K02	N02	0...15	S02	0...100	E02	0...0.1	M02
0...1.6	B03	K03	N03	0...25	S03	0...160	E03	0...0.16	M0.3
0...2.5	B05	K05	N05	0...35	S05	0...250	E05	0...0.25	M05
0...4	B06	K06	N06	0...90	S07	0...600	E07	0...0.6	M07
0...6	B07	K07	N07	0...150	S09	0...1000	E09	0...1	M09
0...10	B09	K09	N09	0...235	S11	0...1600	E11	0...1.6	M11
0...16	B11	K11	N11	0...365	S13	0...2500	E13	0...2.5	M13
0...25	B13	K13	N13	0...600	S16	0...4000	E14	0...4	M16
0...40	B16	K16	N16	0...800	S17	0...5000	E15	0...6	M17
0...60	B17	K17	N17	0...1000	S18	0...6000	E17	0...7	M18
0...70	B18	K18	N18	0...1500	S19	0...7000	E18	0...10	M19
0...100	B19	K19	N19	0...2300	S21	0...10000	E19	0...16	M21
0...160	B21	K21	N21	0...3600	S24	0...16000	E21	0...25	M24
0...250	B24	K24	N24	0...6000	S27	0...25000	E24	0...40	M27
0...400	B27	K27	N27	0...8700	S29	0...40000	E27	0...60	M29
0...600	B29	K29	N29	0...10000	S30	0...60000	E29	0...70	M30
0...700	B30	K30	N30	0...15000	S31	0...70000	E30	0...100	M31
0...1000	B31	K31	N31	0...23200	S34	-	-	0...160	M34
0...1600	B34	K34	N34	-	-	-	-	0.1...0	M37
-1...0	B37	K37	N37	-	-	-100...0	E37	-0.1...0.06	M38
-1...0.6	B38	K38	N38	-	-	-100...60	E38	-0.1...0.15	M39
-1...1.5	B39	K39	N39	-	-	-100...150	E39	-0.1...0.3	M42
-1...3	B42	K42	N42	-	-	-100...300	E42	-0.1...0.5	M43
-1...5	B43	K43	N43	-	-	-100...500	E43	-0.1...0.9	M45
-1...9	B45	K45	N45	-	-	-100...900	E45	-0.1...1.5	M47
-1...15	B47	K47	N47	-	-	-100...1500	E47	-0.1...2.4	M49
-1...24	B49	K49	N49	-	-	-100...2400	E49	-	-

NOTES

- Other scales & measurement units are available.
- Equivalent scales available in kg/cm², psi, kPa, MPa, bar/psi, kPa/bar, kPa/psi or any other special scales.
- Primary scales shall be in "BLACK" and secondary scales shall be "RED".
- Special scales, custom dial design, OEM/private logo printing is available, details contact our marketing team.