

FEATURES

- Forged chambers
- Rigid construction
- Laser welded diaphragm
- Optional exotic materials

APPLICATIONS

- Separation systems
- Isolation applications
- Viscous & corrosive media
- High-pressure applications
- High vibration application

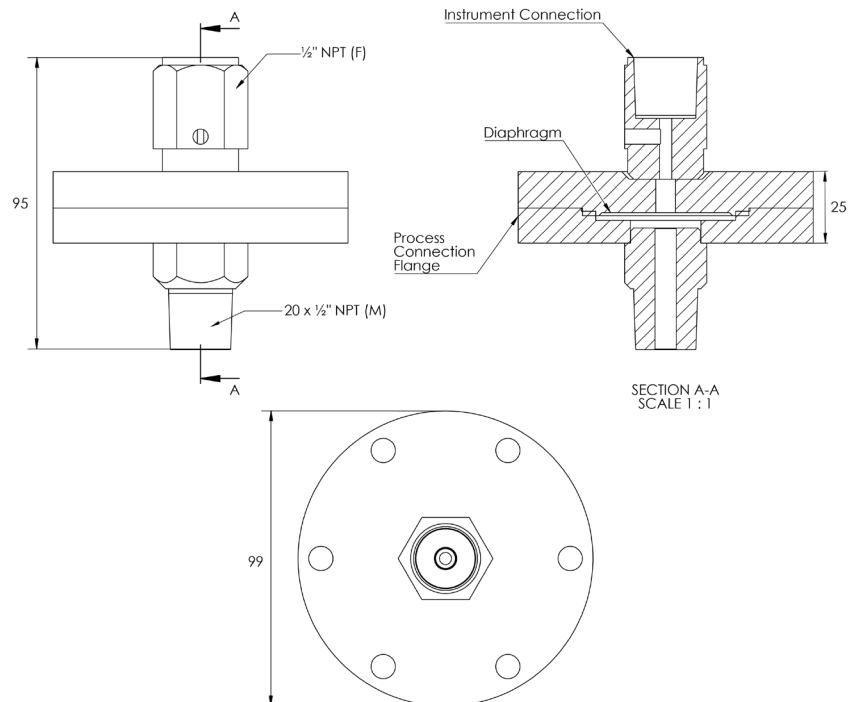
Direct Coupled



STANDARD SPECIFICATIONS

Range type	: -1...400 bar
Top chamber material	: AISI 316 SS
Diaphragm	: AISI 316 SS
Gaskets	: PTFE
Bottom chamber material	: AISI 316 SS
Instrument connection	: 1/2" NPT (F) / 1/2" BSP (F)
Sealing fluid	: Silicon
Process connection	: 1/2" NPT (M) / 1/2" BSP (M)
Assembly	: Direct

DIMENSIONAL DRAWING



All dimensions are in mm.

ORDERING CODES

1. RANGE TYPE

S01	-1...400 bar	S01
------------	--------------	------------

2. TOP CHAMBER MATERIAL

LC	AISI 304 SS	LF	AISI 316 SS	LF
LG	AISI 316L SS	NM	Monel	
DO	Hastelloy C-276			

3. DIAPHRAGM MATERIAL

DG	AISI 316L SS	DM	Monel	DG
DB	AISI 316 SS	DQ	Inconel 600	
DO	Hastelloy C-276	DW	Tantalum	
DV	Titanium			
D8	Silver coated			

4. GASKETS

RP	PTFE	RM	Metal	RP
-----------	------	-----------	-------	-----------

5. BOTTOM CHAMBER MATERIAL

NC	AISI 304 SS	NF	AISI 316 SS	NF
NG	AISI 316L SS	NM	Monel	
NO	Hastelloy C-276	NV	Titanium	
NW	Tantalum	N1	PVC ¹	
N2	PTFE	N3	PVDF ¹	
N4	Polypropylene ¹			

6. INSTRUMENT CONNECTION

03B	3/8" BSP (F)	04N	1/2" NPT (F)	04N
02B	1/4" BSP (F)	04B	1/2" BSP (F)	
02N	1/4" NPT (F)			

7. SEALING FLUID

OA	Silicon	OA
OG	Glycerine	

8. PROCESS CONNECTION

12B	1/4" BSP (M)	13B	3/8" BSP (M)	
14B	1/2" BSP (M)	15B	3/4" BSP (M)	
12N	1/4" NPT (M)	14N	1/2" NPT (M)	14N
15N	3/4" NPT (M)	14M	M20 x 1.5 (M)	
17M	M33 x 2.0 (M)	02N	1/4" NPT (F)	
04N	1/2" NPT (F)	05N	3/4" NPT (F)	
02B	1/4" BSP (F)	04B	1/2" BSP (F)	
05B	3/4" BSP (F)			

9. PROTECTION ON WETTED PARTS

PA	PTFE lining in bottom chamber ^{4,5}	PA
PB	PTFE protection for diaphragm	
PC	PTFE coating on diaphragm or wetted parts	

10. ASSEMBLY

B8	Direct	B8
B9	Remote(capillary)	

11. CAPILLARY

OU	AISI 304 SS	OV	AISI 316 SS	OV
-----------	-------------	-----------	-------------	-----------

12. CONNECTION TYPE

OX	AISI 304 SS	OY	AISI 316 SS	OY
OZ	PVC (Ambient max. 60°C)			

13. REMOTE MOUNTING LENGTH

XXXX	1000 mm up to 6000 mm	XXXX
-------------	-----------------------	-------------

14. OTHER OPTIONS

TC	Material test certificate	TC
TN	NACE standards	

Ordering Example : US-S01-LF-DG-RP-NF-04N-OA-14N-PA-B8-OV-OY-TC

NOTES

1. Pressure rating up to 10 bar. Consult factory for details.
2. Other sealing liquids are available, contact factory for further details.
3. All metal diaphragms are laser welded to the top chamber.
4. PTFE lining to be chosen on parallel threads.