

## FEATURES

- Quick connect / disconnect
- Laser welded flush diaphragm
- Tri-clamp connection

## APPLICATIONS

- Food & beverages industries
- Pharmaceutical & cosmetics

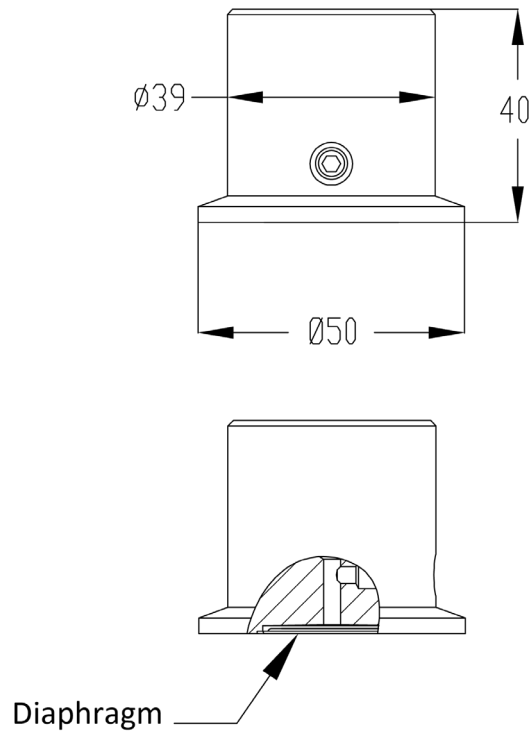
### Clamp connection Diaphragm seal



### STANDARD SPECIFICATIONS

Range type	: -1...0 bar to 0...40 bar Tri-clover
Chamber material	: AISI 316 SS
Diaphragm	: AISI 316L SS
Instrument connection	: ½" NPT (F) / ½" BSP (F)
Sealing fluid	: Food grade oil [-20°C...140°C]
Process connection	: 1", 1.5", 2", 2.5", 3"
Assembly	: Direct

### DIMENSIONAL DRAWING



### ORDERING CODES

#### 1. RANGE TYPE

Z31	-1...40 bar Tri-clover	Z31
-----	------------------------	-----

#### 7. ASSEMBLY

DR	Direct	DR
RE	Remote	

#### 2. CHAMBER MATERIAL

MF	AISI 316 SS	MF
MG	AISI 316L SS	

#### 8. OTHER OPTIONS

XZ	Dry seal	XZ
TL	Helium leak test	
TC	Material test certificate	
E7	4" Bourdon tube system	

#### 3. DIAPHRAGM MATERIAL

MG	AISI 316L SS	MG
----	--------------	----

#### 4. INSTRUMENT CONNECTION

03B	3/8" BSP (F)	03B
04N	1/2" NPT (F)	
02B	1/4" BSP (F)	
04B	1/2" BSP (F)	
02N	1/4" NPT (F)	

#### 5. SEALING FLUID

OF	Food grade oil [-20°C...140°C]	OF
OG	Glycerine	

#### 6. TRI-CLOVER CONNECTION

T01	1" Connection	T01
T15	1.5" Connection	
T02	2" Connection	
T25	2.5" Connection	
T30	3" Connection	

Ordering Example : SAT-Z31-MF-MG-03B-OF-T01-DR-XZ

#### NOTES

1. All metal diaphragms are laser welded To the top chamber