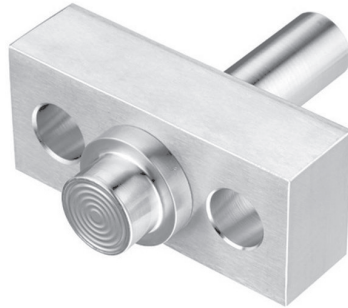


FEATURES

- Flush-mounted separating diaphragm of stainless steel
- Nominal pressure PN 600 and PN 1000
- Clamping flange, adjustable
- Volume optimised diaphragm base
- System fillings for different applications
- Measuring device connection:
 - Directly welded
 - Directly screwed
 - With capillary

APPLICATIONS

- Food industry
- Pharmaceutical industry
- Biotechnology
- Suitable for mounting to bourdon tube pressure gauges and pressure transmitters. The diaphragm seal is used for high pressure applications and for high viscous media.



Diaphragm Seal with Retainer Flange



Diaphragm Seal without Retainer Flange

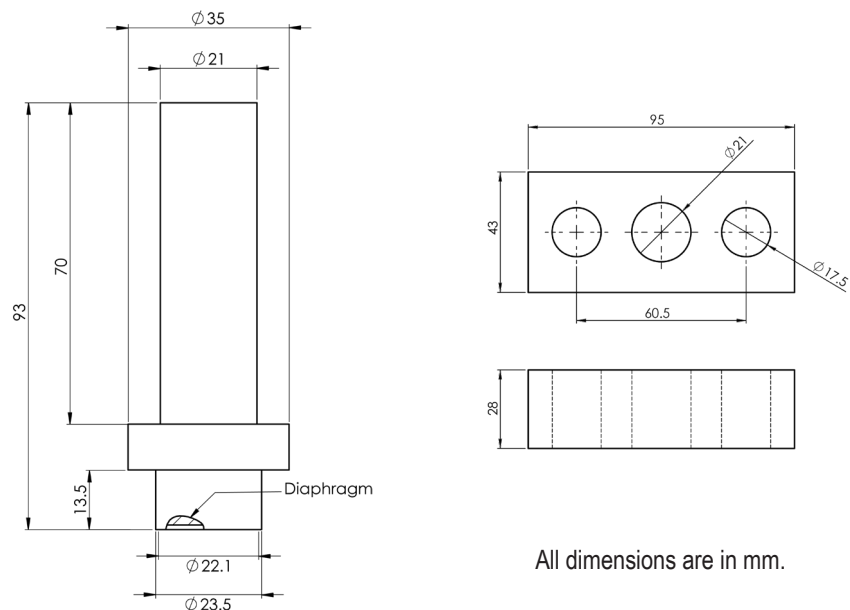
STANDARD SPECIFICATIONS

Connection	: 1/2" NPT (F) Optional: 1/4" NPT (F) / 1/2" BSP (F)
Diaphragm	: Flat diaphragm
Sealing fluid	: Glycerine
Weight	: ~305 g

MATERIAL

Basic body	: Stainless steel 316L
Clamping flange	: Stainless steel 304
Material wetted parts	: Diaphragm: Stainless steel 316L Further materials upon request Basic body: Stainless steel 316L
Measuring device connection	: Stainless steel 304

DIMENSIONAL DRAWING



All dimensions are in mm.

ORDERING CODES

1. RANGE

B21	0...160 bar	B21
B24	0...250 bar	
B27	0...400 bar	
B29	0...600 bar	
B31	0...1000 bar	

2. CHAMBER / FLANGE MATERIAL

MB	ASTM A105 / Carbon steel	MC	AISI 304 SS	MC
MF	AISI 316 SS	MG	AISI 316L SS	
MM	Monel	MO	Hastelloy C-276	
MV	Titanium	MW	Tantalum	

3. DIAPHRAGM MATERIAL

MG	AISI 316L SS	MM	Monel	MG
MF	AISI 316 SS	MV	Titanium	
MO	Hastelloy C-276			
MW	Tantalum			

4. INSTRUMENT CONNECTION

02B	¼" BSP (F)	04N	½" NPT (F)	04N
02N	¼" NPT (F)	04B	½" BSP (F)	

5. SEALING FLUID

OG	Glycerine	OG
----	-----------	----

6. PROCESS CONNECTION

PN1	Retainer flange adjustable-PN 600	PN1
PN2	Retainer flange adjustable-PN 1000	
PO	Without Clamping flange	

7. ASSEMBLY

DR	Directly screwed	DR
DW	Directly welded	
RE	Remote	

8. CAPILLARY

MC	AISI 304 SS	MF	AISI 316 SS	MF
----	-------------	----	-------------	----

9. ARMOUR

MC	AISI 304 SS	MF	AISI 316 SS	MF
MP	PVC (Ambient max. 60°C)			

10. REMOTE MOUNTING LENGTH

XXXX	1000 mm up to 6000 mm	6000
------	-----------------------	------

11. OTHER OPTIONS

TC	Material test certificate	TC
TN	NACE standards	

Ordering Example : SAH-B21-MC-MG-04N-OG-PN1-DR-MF-MF-6000-TC

NOTES

1. Other sealing liquids are available, contact factory for further details.
2. All metal diaphragms are laser welded to the Top Chamber.

02/02