

## FEATURES

- Quick connect/disconnect
- Laser welded flush diaphragm
- DIN, SMS, RJT & IDF / ISS connections

## APPLICATIONS

- Food & beverages industries
- Dairy & Ice cream industries
- Pharmaceuticals & cosmetics

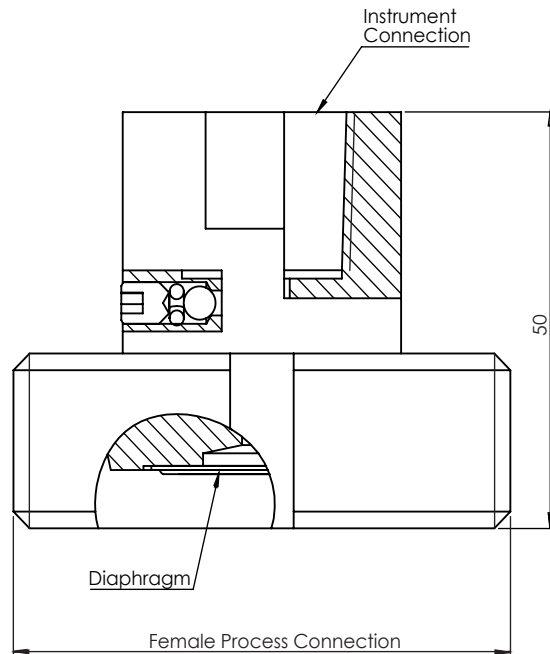
### Flush, Union-nut



### STANDARD SPECIFICATIONS

Range type	: 1...40 bar
Chamber material	: AISI 316 SS
Diaphragm	: AISI 316 SS
Instrument connection	: 1/2" NPT (F) / 1/2" BSP (F)
Process connection	: Union-nut (DIN 11851 / SMS / RJT/APV / IDF/ISS)
Assembly	: Direct

### DIMENSIONAL DRAWING



All dimensions are in mm.

## ORDERING CODES

### 1. RANGE TYPE

<b>S37</b>	1...40 bar	<b>S37</b>
Refer range vs connection size table		

### 2. STANDARD TYPE

<b>T40</b>	DIN 11851	<b>T40</b>
<b>T41</b>	SMS	
<b>T42</b>	RTJ / APV	
<b>T42</b>	IDF / ISS	

### 3. CHAMBER MATERIAL

<b>LF</b>	AISI 316 SS	<b>LF</b>
<b>LG</b>	AISI 316L SS	

### 4. DIAPHRAGM MATERIAL

<b>DG</b>	AISI 316L SS	<b>DG</b>
<b>DB</b>	AISI 316 SS	

### 5. INSTRUMENT CONNECTION

<b>03B</b>	3/8" BSP (F)	
<b>04N</b>	1/2" NPT (F)	<b>04N</b>
<b>02B</b>	1/4" BSP (F)	
<b>04B</b>	1/2" BSP (F)	
<b>02N</b>	1/4" NPT (F)	

### 7. PROCESS CONNECTION (UNION NUT)

<b>T01</b>	1" Connection (DN25)	
<b>T14</b>	1 1/4" Connection (DN32)	
<b>T15</b>	1 1/2" Connection (DN40)	<b>T15</b>
<b>T02</b>	2" Connection (Dn50)	
<b>T25</b>	2 1/2" Connection (DN63)	
<b>T03</b>	3" Connection (DN80)	

### 8. ASSEMBLY

<b>B8</b>	Direct	<b>B8</b>
<b>B9</b>	Remote (capillary)	

### 9. CAPILLARY

<b>OU</b>	AISI 304 SS	<b>OU</b>
<b>OV</b>	AISI 316 SS	

### 10. ARMOUR

<b>OX</b>	AISI 304 SS	<b>OX</b>
<b>OY</b>	AISI 316 SS	
<b>OZ</b>	PVC (Ambient max. 60°C)	

### 11. REMOTE MOUNTING LENGTH

<b>XXXX</b>	1000 mm up to 4000 mm	<b>XXXX</b>
-------------	-----------------------	-------------

### 12. OTHER OPTIONS

<b>TC</b>	Material test certificate	<b>TC</b>
<b>TN</b>	NACE standards	

Ordering Example : SAF-S37-T40-LF-DG-04N-T15-B8-OU-OX-TC

## CONNECTION SIZE Vs RANGE CHART

DIN	Size	25	32	40	50	80
	«Diaphragm Size (OD/ED) in "mm"»		35/25	38/32	48/40	59/52
Range (bar)		0...4 to 0...40	0...2 to 0...40	0...1 to 0...40	0...1 to 0...40	-1...0 to 0...40
SMS	Size	1"	1 1/2"	2"		
	«Diaphragm Size (OD/ED) in "mm"»		30/23	45/36	58/51	
	Range (bar)		0...4 to 0...40	0...2 to 0...40	0...1 to 0...40	

### NOTE

All metal diaphragms are laser welded to the Top Chamber.

02/02