

## FEATURES

- Completely round, no corners and edges
- For direct installation between two flanges
- Wide choice of special materials

## APPLICATIONS

- For direct, permanent installation in pipelines
- For flowing, pure and aggressive media
- Chemical process industry
- Petrochemical industry

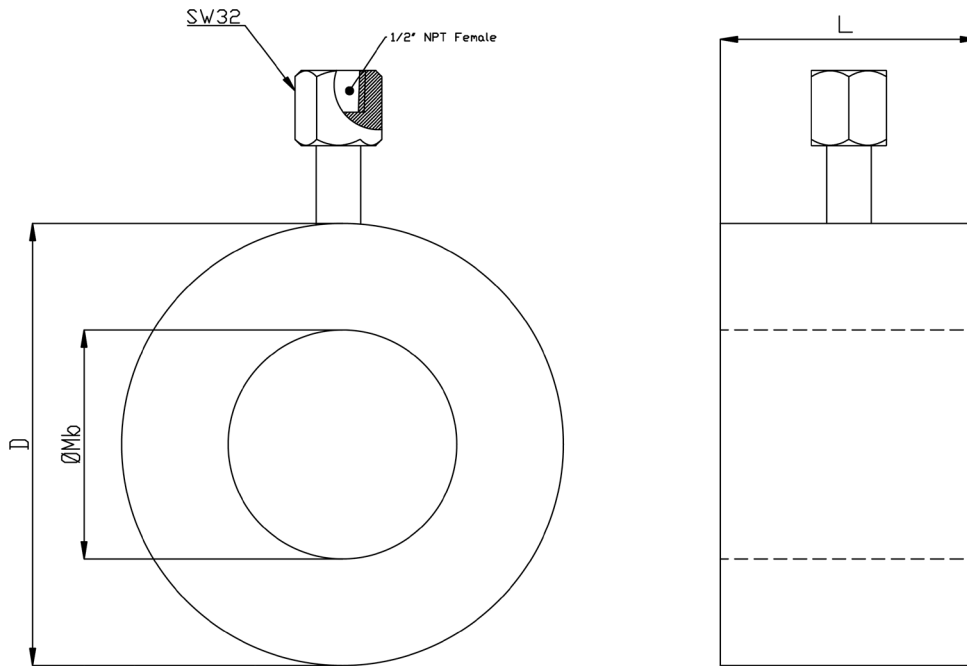
## Cell-type



### STANDARD SPECIFICATIONS

Range type	: 0 ... 0.6 to 0 ... 400 bar
Basic body	: AISI 316L SS
Diaphragm	: AISI 316L SS
Instrument connection	: Pressure gauge or transmitter directly welded, process pressure transmitter with threaded adapter
Sealing fluid	: Silicone oil
Facing finish	: 125 - 250 AARH for Raised Face
Assembly	: Direct

### DIMENSIONAL DRAWING



Connections as per EN 1092-1				
DN	PN	D	Mb	L
25	6...400	63	28.5	60
40	6...400	85	43	60
50	6...320	95	54.5	60
80	6...250	130	82.5	60
100	6...160	150	107	60
125	6	178	132	60
125	10...63	188	132	60
150	6	202	152	60
150	10...63	212	152	60

Connections as per ANSI B 16.5				
Size	Class	D	Mb	L
1"	150...2500	63	28.5	60
1½"	150...2500	78	43	60
2"	150...1500	95	54.5	60
3"	150...900	130	82.5	60
4"	150...600	150	107	60
5"	150...300	186	132	60
6"	150...300	216	159	60

All dimensions are in mm.

02/04

### ORDERING CODES

#### 1. RANGE TYPE

Z50	0...0.6 to 0...400 bar	Z50
-----	------------------------	-----

#### 2. BODY MATERIAL

MG	AISI 316L SS	MC	AISI 304 SS	MC
MF	AISI 316 SS	MM	Monel	
MO	Hastelloy C-276	MQ	Inconel 600	
MV	Titanium	MW	Tantalum	
MD	Super Duplex	MM	Monel	

#### 3. DIAPHRAGM MATERIAL

MG	AISI 316L SS	MC	AISI 304 SS	MG
MF	AISI 316 SS	MM	Monel	
MO	Hastelloy C-276	MQ	Inconel 600	
MV	Titanium	MW	Tantalum	
MD	Super Duplex	MM	Monel	

#### 4. INSTRUMENT CONNECTION

03B	3/8" BSP (F)	04N	1/2" NPT (F)	04N
02B	1/4" BSP (F)	04B	1/2" BSP (F)	
02N	1/4" NPT (F)			

#### 5. SEALING FLUID

OA	Silicon	OA
----	---------	----

#### 6. PROCESS CONNECTION

XXX	Refer Flange Table for the codes	XXX
-----	----------------------------------	-----

#### 7. FLANGE FACING

FF	Flat Face	
RJ	Ring-Type Joint	
RF	Raised Face	RF

#### 9. ASSEMBLY

DR	Direct	DR
RE	Remote	

#### 10. CAPILLARY

MC	AISI 304 SS	MF	AISI 316 SS	MF
----	-------------	----	-------------	----

#### 11. ARMOUR

MC	AISI 304 SS	MF	AISI 316 SS	MF
MP	PVC (Ambient max. 60°C)			

#### 12. REMOTE MOUNTING LENGTH

XXXX	1000 mm up to 6000 mm	6000
------	-----------------------	------

#### 13. OTHER OPTIONS

TC	Material test certificate	TC
TN	NACE standards	
TO	Use for Oxygen service	

Ordering Example : ILS-Z50-MC-MG-04N-OA-XXX-RF-DR-MF-MF-6000-TC

#### NOTES

1. Other sealing liquids are available, contact factory for further details.
2. All metal diaphragms are laser welded to the Top Chamber.

### Flange Table

ANSI B 16.5								
Code	Size	Rating	Code	Size	Rating	Code	Size	Rating
A01	½"	150#	A02	½"	300#	A03	½"	600#
A04	½"	900#	A05	½"	1500#	A06	½"	2500#
A07	¾"	150#	A08	¾"	300#	A09	¾"	600#
A10	¾"	900#	A11	¾"	1500#	A12	¾"	2500#
A13	1"	150#	A14	1"	300#	A15	1"	600#
A16	1"	900#	A17	1"	1500#	A18	1"	2500#
A19	1¼"	150#	A20	1¼"	300#	A21	1¼"	600#
A22	1¼"	900#	A23	1¼"	1500#	A24	1¼"	2500#
A25	1½"	150#	A26	1½"	300#	A27	1½"	600#
A28	1½"	900#	A29	1½"	1500#	A30	1½"	2500#
A31	2"	150#	A32	2"	300#	A33	2"	600#
A34	2"	900#	A35	2"	1500#	A36	2"	2500#
A37	2½"	150#	A38	2½"	300#	A39	2½"	600#
A40	2½"	900#	A41	2½"	1500#	A42	2½"	2500#
A43	3"	150#	A44	3"	300#	A45	3"	600#
A46	3"	900#	A47	3"	1500#	A48	3"	2500#
A49	4"	150#	A50	4"	300#	A51	4"	600#
A52	4"	900#	A53	4"	1500#	A54	4"	2500#