

SANGAN model PG13-918 series gauges are available in 100/160 mm dia. These gauges are designed to measure the differential pressure of clear dry low pressure gasses by means of a capsule system. Standard with stainless steel internals.



PG 13-918

stainless steel differential capsule pressure gauge

mounting variations

- type A bottom connection, direct mounting
- type B panel mounting, clamp fixing, back connection
- type C surface mounting, bottom connection
- type D back connection, direct mounting
- type E panel mounting, back connection
- type F panel mounting, bottom connection

technical specification model PG 13-918

diameter	connection	window	ranges
100/160 mm	1/2" BSP/NPT	plaxiglass	from 6/400 mbar
casing	capsule	movement	dial
AISI304 bayonet	AISI316	nickel plated	aluminium
bezel	socket	pointer	accuracy
AISI304 bayonet	AISI316	adjustable	2,5% FSD

Note: not suitable for application of pressure to one side only
special executions on request

options and special executions at extra cost

casing	AISI316
bezel	AISI316
window	safety glass; toughened glass
dials	customized – i.e., non standard ranges or logos
certificates	calibration -; conformity -; material.
manuals	installation and maintenance
pointer	adjustable slotted; adjustable micro
connection	METRIC; BSPT; acc JIS in various sizes
restrictor	AISI316
connection position	top or side
red pointer	on dial

PG 13-918 technical data sheet

design information

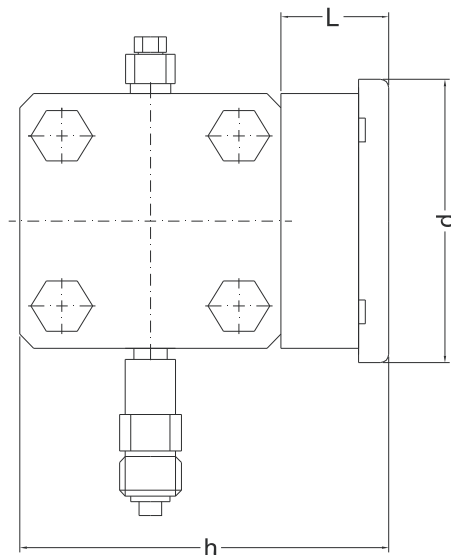
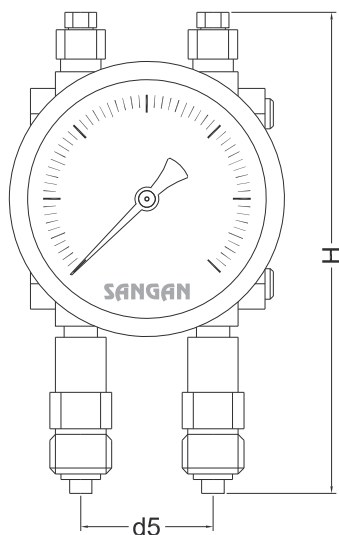
ingress protection

IP 65 per EN 60 529 / IEC 529

design

EN 837-1

drawings



dimensions

type A

type A

ns	d	d5	h	L	H	weight
100	110	54	150	50	186	6,4 kg
160	160	54	152	52	186	7,2 kg
100*	110	54	200	50	236	-
160*	160	54	202	52	236	-

Note : dimensions are in mm

t