

SANGAN model PG 4 glycerine filled series gauges are available as 63/100 mm dia. These gauges are uniquely designed for rigorous hydraulic service and other adverse service conditions where pulsation or vibrations exists. The stainless steel case and crimped ring offers an excellent protection from all types of weather conditions.



PG 4

glycerine filled crimped ring pressure gauge

mounting variations

- type A bottom connection, direct mounting
- type B panel mounting, clamp fixing, back connection
- type C surface mounting, bottom connection
- type D back connection, direct mounting
- type E panel mounting, back connection
- type F panel mounting, bottom connection

technical specification model PG 4 glycerine filled

diameter	connection	window	ranges
63/100 mm	1/4" BSP/NPT	plastic	from -1/600 bar
casing	tube	movement	dial
AISI304	copper alloy	brass	aluminium
bezel	socket	pointer	accuracy
AISI304 crimped	brass	fixed	1.6% FSD

Note: diameter 63 mm standard with restrictor
standard with glycerine filling
100 mm dia standard with 1/2" connection

options and special executions at extra cost

window	glass 100 mm only
dials	customized – i.e., non standard ranges or logos
certificates	calibration -; conformity -; material
manuals	installation and maintenance
connection	METRIC; BSPT; acc JIS in various sizes
connection position	top or side
receiver gauge	3-15 psi; 0.2-1 bar; 0-100% lin; 0-10 sq.rt.
red pointer	on dial
special filling	silicone; fluorolube
special version	without filling (dry)
PG 4-04	stainless steel internal and brass movement range -1/1000 bar
PG 4-18	stainless steel internal and movement range -1/1000 bar

PG 4 - technical data sheet

pressure details

working pressure

Steady	$\frac{2}{3}$ x full scale value
Fluctuating	$\frac{2}{3}$ x full scale value
Short time	see over-pressure table

pressure element

	<100 bar	100 bar
PG 4	Copper alloy	Copper alloy
PG 4-04	AISI316	AISI316
PG 4-18	AISI316	AISI316

over-pressure

max. scale in bar			over-pressure at 20 °C
-1	to	100	1,25 x full scale value
101	to	600	1,15 x full scale value

Note : only withstand for a short period of time

temperature details

temperature limitations

	ambient	process
without filling	-40 °C to 60 °C	200 °C
glycerine filling	-25 °C to 60 °C	60 °C
silicone filling	-40 °C to 60 °C	90 °C

The variation of indication caused by the effects of temperature shall not exceed :

$\pm 0,04 \times (\text{ambient temperature} - \text{reference temperature})\%$
of the span

design information

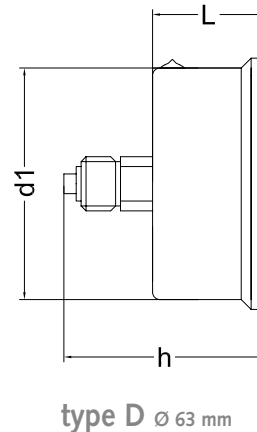
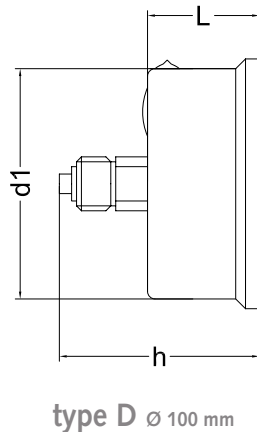
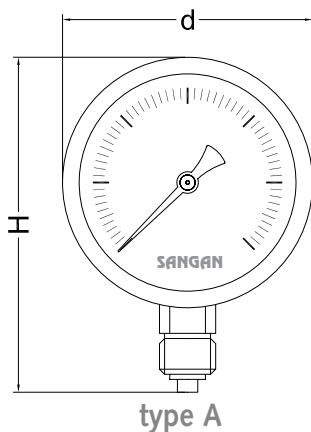
ingress protection

IP 65 per EN 60 529 / IEC 529

design

EN 837-1

drawings



dimensions

ns	d	d1	L	H	h	weight
63	68	63	30	84	57	0,15 kg
100	111	100	35	145	74	0,4 kg

Note : dimensions are in mm