

SANGAN model PG 21 series gauge is only available in 4 1/2" dia. The solid front phenolic case offer an excellent resistance to chemical, weather and corrosion attack. The PG 21 has many optional features such as a field conversion kit to give a hermetically sealed or liquid filled gauge. It is designed to comply with the operational safety requirements of ASME B40.100 and ANSI B 40.1.1. All Sangan stainless steel tubes are made from seamless drawn tube.



PG 21

phenolic solid front process pressure gauge

mounting variations

- type A bottom connection, direct mounting
- type B panel mounting, clamp fixing, back connection
- type C surface mounting, bottom connection
- type D back connection, direct mounting
- type E panel mounting, back connection
- type F panel mounting, bottom connection

technical specification model PG 21

diameter	connection	window	ranges
4 1/2"	1/2" BSP/NPT	safety glass	from -1/1600 bar
casing	tube	movement	dial
phenolic	AISI316	stainless steel	aluminium
bezel	socket	pointer	accuracy
glass-filled PP	AISI316	adjustable slotted	0.5% FSD

Note: glycerine conversion kit consists of: 1) compensation bellow
2) O ring for front case seal 3) mounting screws for rear cover

gauge options and special executions at extra costs

casing	with open front type PG 23
window	glass/plexiglas
dials	customized – i.e., non standard ranges or logos
certificates	calibration-; conformity-; material
manuals	installation and maintenance
pointer	adjustable micro
connection size	METRIC, BSPT, acc JIS in various sizes
restrictor	AISI316
connection position	top or side
receiver gauge	3-15 psi, 0.2-1 bar , 0-100% lin, 0-10 sq.rt.
special version	with MONEL internals type PG 21-M
special version	with BRASS internals type PG 21-B
filling	glycerine, silicone, fluorolube

PG 21 - technical data sheet

pressure details

working pressure

Steady	full scale value
Fluctuating	0,9 x full scale value
Short time	see over-pressure table

pressure element

	<100 bar	100 bar
PG 21	AISI316	AISI316

over-pressure

max. scale in bar			over-pressure at 20°C
-1	to	100	1,25 x full scale value
101	to	600	1,15 x full scale value
601	to	1600	1,10 x full scale value

Note : only withstand for a short period of time

temperature details

temperature limitations

	ambient	process
without filling	-40 °C to 60 °C	200 °C
glycerine filling	-25 °C to 60 °C	60 °C
silicone filling	-40 °C to 60 °C	90 °C

The variation of indication caused by the effects of temperature shall not exceed :

$\pm 0,04 \times (\text{ambient temperature} - \text{reference temperature})\%$
of the span

design information

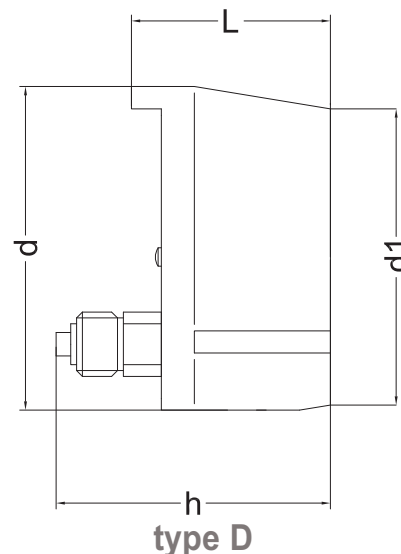
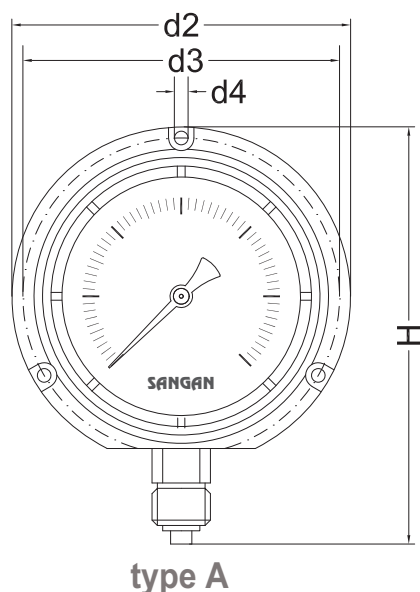
ingress protection

IP 65 per EN 60 529 / IEC 529

design

EN 837-1

drawings



dimensions

ns	d	d1	L	H	h	d2	d4	weight
4 1/2"	148	129	86	180	130	137	6	0,8 kg

Note : dimensions are in mm