

**SANGAN** model PG 20 series gauges are available in 63/100/160 mm. The PG 20 stainless steel safety gauge has a baffle wall and a blow out back and is designed to comply with operational safety requirements of EN837-1 / 9.7.2, (formerly BS1780 & DIN 16006) and ANSI B 40.1. The PG 20 is used as a standard gauge on gas applications above 25 bar. All SANGAN stainless steel tubes are made from seamless drawn tube.



**PG 20**

## stainless steel solid front process pressure gauge

### mounting variations

- type A bottom connection, direct mounting
- type B panel mounting, clamp fixing, back connection
- type C surface mounting, bottom connection
- type D back connection, direct mounting
- type E panel mounting, back connection
- type F panel mounting, bottom connection

### technical specification model PG 20

diameter	connection	window	ranges
63/100/160 mm	1/2" BSP/NPT	safety glass	from -1/1600 bar
casing	tube	movement	dial
AISI304 bayonet	AISI316	stainless steel	aluminium
bezel	socket	pointer	accuracy
AISI304 bayonet	AISI316	adjustable slotted	1.0% FSD

Note: 63 mm standard connection is 1/4" BSP/NPT  
 63 mm accuracy 1.6% FSD - maximum 1000 bar  
 type D and E execution dia 100 only, type C dia 100/160 mm  
 63 mm fixed pointer

### gauge options and special executions at extra costs

casing	AISI316
beze	AISI316
dial	customized – i.e., non standard ranges or logos, 0,5% mirror scale
certificates	calibration -; conformity -; material
manual	installation and maintenance
pointe	adjustable micro 100/160 mm only
connection siz	METRIC, BSPT, acc JIS in various sizes
restrictor	AISI316
connection position	top or side
receiver gaug	3-15 psi, 0.2-1 bar , 0-100% lin, 0-10 sq.rt.
special versio	with MONEL internals type PG 20-M
filling	glycerine, silicone, fluorolube
accurac	0.5% FSD, not for 63 mm
with contact device	PG31-01 series

## PG 20 - technical data sheet

### pressure details

#### working pressure

Steady	full scale value
Fluctuating	0,9 x full scale value
Short time	see over-pressure table

#### pressure element

	>100 bar	100 bar
PG 20	AISI316	AISI316

#### over-pressure

max. scale in bar			over-pressure at 20°C
-1	to	100	1,25 x full scale value
101	to	600	1,15 x full scale value
601	to	1600	1,10 x full scale value

Note : only withstand for a short period of time

### temperature details

#### temperature limitations

	ambient	process
without filling	-40 °C to 60 °C	200 °C
glycerine filling	-25 °C to 60 °C	60 °C
silicone filling	-40 °C to 60 °C	90 °C

The variation of indication caused by the effects of temperature shall not exceed :

$\pm 0,04 \times \text{ambient temperature-reference temperature}(\% \text{ of the span})$

### design information

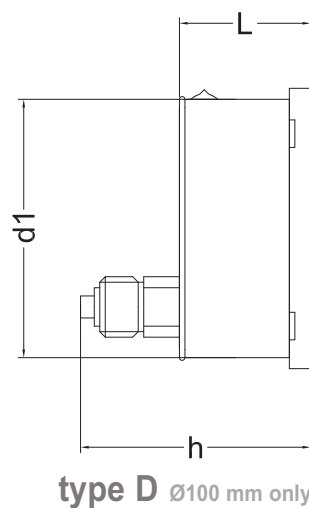
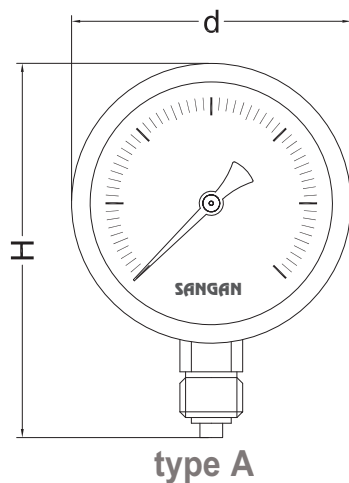
#### ingress protection

IP 65 per EN 60 529 / IEC 529

#### design

EN 837-1

### drawings



### dimensions

ns	d	d1	L	H	h	weight
63	68	63	40	88	-	0,2 kg
100	110	100	63	142	100	0,65 kg
160	160	149	64	200	-	1,20 kg

Note : dimensions are in mm