

SANGAN model PG17 series gauges are available as 160 mm dia. These gauges are all stainless steel construction with baffle wall and are suitable for corrosive environments and gaseous or liquid media that will not obstruct the pressure measuring system. The accuracy is measured at 20 °C. Standard without mirror scale.



PG 17

test pressure gauge

mounting variations

- type A bottom connection, direct mounting
- type B panel mounting, clamp fixing, back connection
- type C surface mounting, bottom connection
- type D back connection, direct mounting
- type E panel mounting, back connection
- type F panel mounting, bottom connection

technical specification model PG17-18

diameter 160 mm	connection 1/2" BSP/NPT	window safety glass	ranges from -1/1000 bar
casing AISI304 bayonet	tube AISI316	movement stainless steel	dial aluminium
bezel AISI304 bayonet	socket AISI316	pointer adjustable micro with counter weight and twisted tip	accuracy 0.25% & 0.5% FSD

Note: the degree of protection is IP65
 additional error above +20 °C is +0.3%/10 K of true scale value
 additional error under +20 °C is -0.3%/10 K of true scale value

options and special executions at extra cost

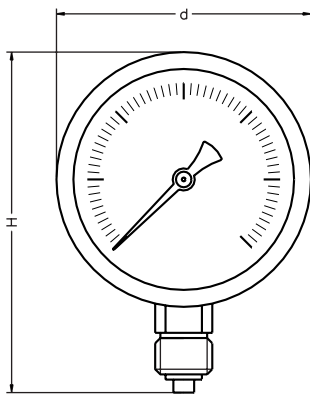
casing	AISI316
bezel	AISI316
dials	customized – i.e., non standard ranges or logos
certificates	calibration -; conformity -; material.
manuals	installation and maintenance
connection	METRIC; BSPT; acc JIS in various sizes
restrictor	stainless steel
connection position	top or side
dial	mirror scale
calibration certificate	5 points

design information

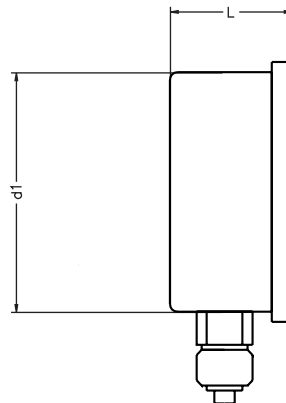
ingress protection
IP 65 per EN 60 529 / IEC 529

design
EN 837-1

drawings



type A



type D

measurements	BDT17 - 18
d in mm	160
d1 in mm	149
L in mm	64
H in mm	200
h in mm	107
weight in kg	1,2

dimensions are approximate and can be changed without prior notice