

SANGAN model PG 12 series gauges are available in 100/160 mm dia and are of the diaphragm type. Suitable for all gaseous and liquid media. These gauges can be made with flanged connections acc ANSI, DIN, JIS, suitable for viscous media and suspended solids.



PG 12

stainless steel diaphragm pressure gauge

mounting variations

- type A bottom connection, direct mounting
- type B panel mounting, clamp fixing, back connection
- type C surface mounting, bottom connection
- type D back connection, direct mounting
- type E panel mounting, back connection
- type F panel mounting, bottom connection

technical specification model PG 12

diameter 100 / 160 mm	connection 1/2" BSP/NPT	window glass	ranges 40 mbar \ 40 bar
casing AISI304 bayonet	diaphragm AISI316	movement stainless steel	dial aluminium
bezel AISI304 bayonet	socket AISI316	pointer aluminium	accuracy 1.6% FSD

Note: for pressures over 0.6 bar we recommend model BDT19 + US/ECB seal

options and special executions at extra cost

casing	AISI316
bezel	AISI316
window	safety glass; plastic; toughened glass
dials	customized – i.e., non standard ranges or logos
certificates	calibration -; conformity -; material
manuals	installation and maintenance
pointer	adjustable slotted; adjustable micro
connection	METRIC; BSPT; acc JIS in various sizes
connection position	top or side
drag-pointer system	for dia 100/160 mm
red pointer	on dial
special version	with exotic wetted parts
special version	wetted parts PTFE lined
filling	glycerine; silicone; fluorolube
with contact devices	PG 31-01
wetted parts coated	PFA; PVDF; FEP; gold; silver

Tel:+98 21 77529876, Fax:+98 2177607250

P.O.BOX: 15655-177. Tehran.Iran

www.sangansanat.com

PG 12 - technical data sheet

pressure details

working pressure

Steady	full scale value
Fluctuating	0,9 x full scale value
Short time	see over-pressure table

pressure element

diaphragm system	
PG 12	AISI316

over-pressure

max. scale in bar		over-pressure at 20°C
-1	to 100	5 x full scale value

Note : only withstand for a short period of time
40 bar maximum

temperature details

temperature limitations

	ambient	process
without filling	-40 °C to 60 °C	200 °C
glycerine filling	-25 °C to 60 °C	60 °C
silicone filling	-40 °C to 60 °C	90 °C

The variation of indication caused by the effects of temperature shall not exceed :

$\pm 0,08 \times (\text{ambient temperature} - \text{reference temperature})\%$
of the span

design information

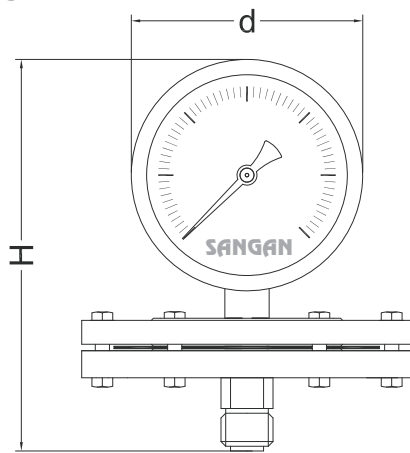
ingress protection

IP 65 per EN 60 529 / IEC 529

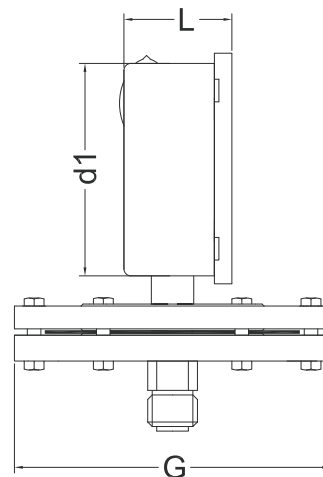
design

EN 837-3

drawings



type A



type A

dimensions

ns	d	d1	L	H	G	weight
100 LP	110	100	50	200	160	1,76 kg
160 LP	160	150	52	250	160	2,09 kg
100 HP	110	100	50	200	108	1,58 kg
160 HP	160	150	52	250	108	1,91 kg

Note : dimensions are in mm

LP = -400/0...0/400 mbar HP = -1/0...0/40 bar