



**N2**

**SANGAN** model N2 is needle valve specially designed for applications requiring complete isolating and throttling of the media. These types of needle valves are available with a variety of seat and seal materials. The valves are tested under pressure in the factory. This valve is available with a standard HS stem with a conical tip to ensure perfect alignment for a bubble tight shut-off.

**isolation needle valve**

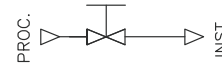
**technical specification model**

<b>moc</b> AISI316	<b>inlet</b> 1/2"NPT-F	<b>outlet</b> 1/2"NPT-f	<b>vent</b>
<b>venting bonnet</b> -	<b>isolating bonnet</b> top side	<b>stem</b> HS	<b>packing</b> PTFE
<b>pressure</b> 413 (6000) bar (psi )	<b>temperature</b> 240°C	<b>bracket holes</b> -	

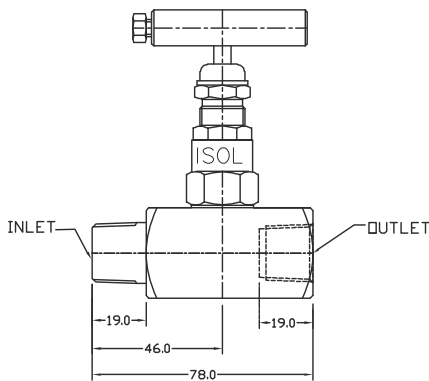
**design information**

- self aligning metal seats
- compact design
- non-rotating spindle tip
- metal seal between body and bonnet
- bonnet locking pins
- safety back seating T-bar
- full traceability of all materials
- 100% pressure tested

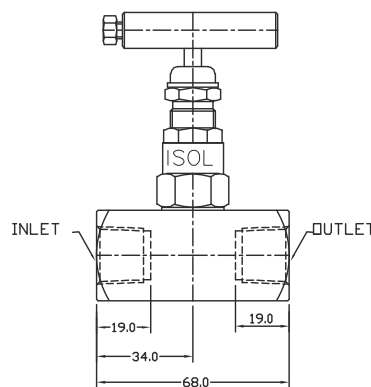
**flow diagram**



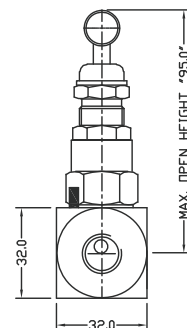
**dimensional drawings**



**N2MF-front**



**N2FF-front**



**N2-side**

## N2 - additional information

---

### options and special execution at extra cost

material	carbon steel, AISI316L, AISI304, Monel, Hastelloy
inlet	other sizes on request
outlet	other sizes on request
stem	SO
gland packing	PTFE glass filled, graphoil
pressure	up to 700 bar (10.000 psi)
temperature	up to 550°C
handle	with anti tamper facility with removable T-bar key
plugs	hexagon blind plugs
support	for brackets see bracket datasheet
certificates	material, test and NACE certificates
cleaning	for oxygen service

### design information

#### pressure table metal seal HS type

