



M5D

SANGAN model M5D is a five valve manifold that can be used for the isolation of differential pressure instruments. The M5D manifold has two female connections at the bottom side and two female rotating nuts at the top side. All SANGAN manifolds are available with a variety of seat and seal materials and are fully tested under pressure in the factory. This valve is available with a standard HS stem with a conical tip to ensure perfect alignment for a bubble tight shut-off

remotely mounted five valve instrument manifold

technical specification model

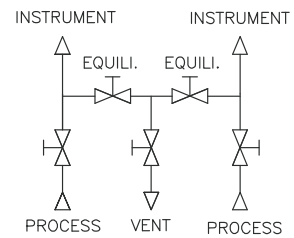
material AISI316	inlet 1/2" NPT-f	outlet 1/2"BSP rotatable nut	vent 1/4"NPT-f (plugged)
venting bonnet front side	equalizing bonnet front side	isolating bonnet right and left side	stem HS
packing PTFE	pressure 413 (6000) bar (psi)	temperature 240°C	bracket holes provided

Note: the outlet is executed with rotating nuts.

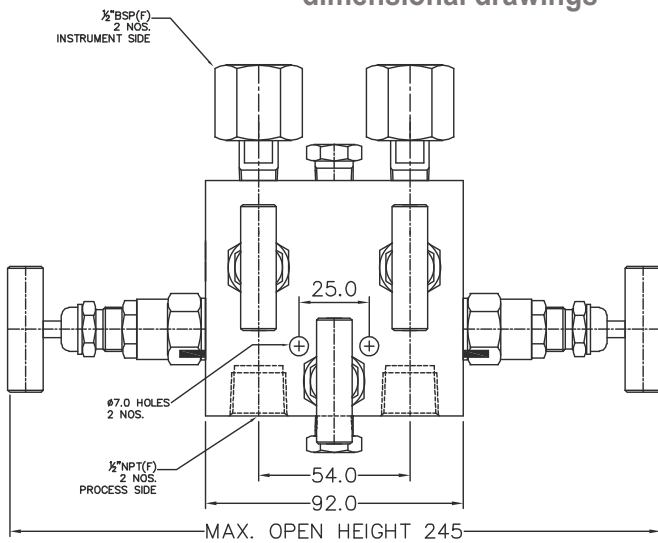
design information

- self aligning metal seats
- compact design
- non-rotating spindle tip
- metal seal between body and bonnet
- bonnet locking pins
- safety back seating T-bar
- full traceability of all materials
- 100% pressure tested

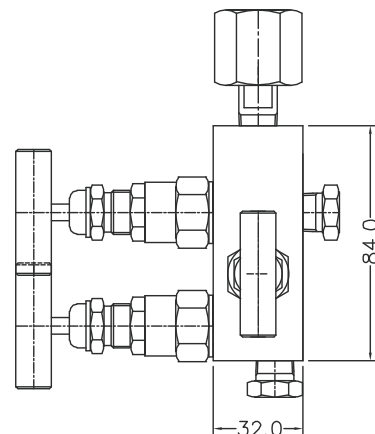
flow diagram



dimensional drawings



front



side

M5D - additional information

options and special execution at extra cost

moc	carbon steel, AISI316L, AISI304, Monel, Hastelloy
inlet	other sizes on request
outlet	other sizes on request
stem	SO
gland packing	PTFE glass filled, graphoil
pressure	up to 700 bar (10.000 psi)
temperature	up to 550°C
handle	with anti tamper facility with removable T-bar key
plugs	hexagon blind plugs
support	for brackets see bracket datasheet
certificates	material, test and NACE certificates
cleaning	for oxygen service

design information

pressure table metal seal HS type

