



**M3D**

**SANGAN** model M3D is a three valve manifold that can be used for the isolation of differential pressure instruments. The M3D manifold has two instrument connections at the bottom side and rotating nuts on the top side of the manifold. All SANGAN manifolds are available with a variety of seat and seal materials and are fully tested under pressure in the factory. This valve is available with a standard HS stem with a conical tip to ensure perfect alignment for a bubble tight shut-off

**remote mounted three valve instrument manifold**

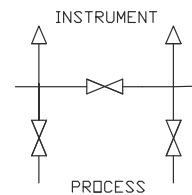
**technical specification model**

|   |  |                                  |  |
|---|--|----------------------------------|--|
| <b>material</b><br>AISI316              | <b>inlet</b><br>1/2" NPT-f                     | <b>outlet</b><br>1/2"BSP-F       | <b>vent</b><br>2 x 1/4"NPT-f (plugged) |
| <b>equalizing bonnet</b><br>front side  | <b>isolating bonnet</b><br>left and right side | <b>stem</b><br>HS                | <b>packing</b><br>PTFE                 |
| <b>pressure</b><br>413 (6000) bar (psi) | <b>temperature</b><br>240°C                    | <b>bracket holes</b><br>provided |  |

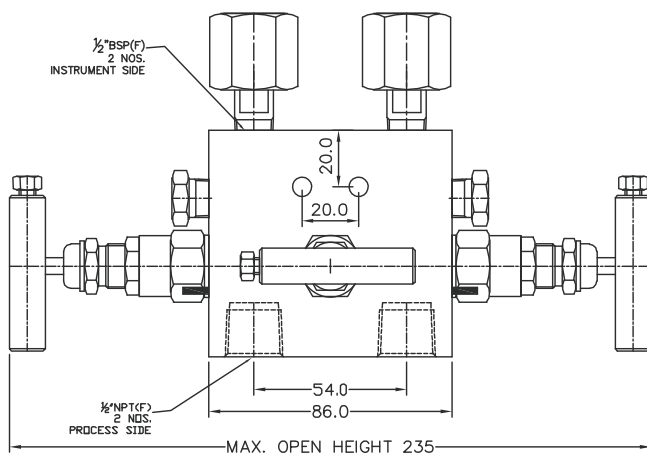
**design information**

- self aligning metal seats
- compact design
- non-rotating spindle tip
- metal seal between body and bonnet
- bonnet locking pins
- safety back seating T-bar
- full traceability of all materials
- 100% pressure tested

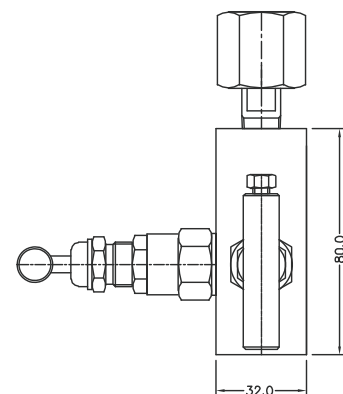
**flow diagram**



**dimensional drawings**



**front**



**side**

## M3D - additional information

### options and special execution at extra cost

|               |  |
|---------------|--|
| material      | carbon steel, AISI316L, AISI304, Monel, Hastelloy  |
| inlet         | other sizes on request                             |
| outlet        | other sizes on request                             |
| stem          | SO   |
| gland packing | PTFE glass filled, graphoil                        |
| pressure      | up to 700 bar (10.000 psi)                         |
| temperature   | up to 550°C  |
| handle        | with anti tamper facility with removable T-bar key |
| plugs         | hexagon blind plugs                                |
| support       | for brackets see bracket datasheet                 |
| certificates  | material, test and NACE certificates               |
| cleaning      | for oxygen service                                 |

### design information

#### pressure table metal seal HS type

