



M2A

SANGAN model M2A is a two valve manifold that can be used for isolation, bleeding, calibration, and testing of pressure instruments. The M2A manifold has the process connection at the left side and the instrument connection on right side. All SANGAN manifolds are available with a variety of seat and seal materials and are fully tested under pressure in the factory. This valve is available with a standard HS stem with a conical tip to ensure perfect alignment for a bubble tight shut-off

remotely mounted two valve instrument manifold

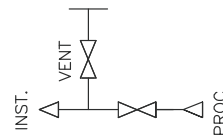
technical specification model

material AISI316	inlet 1/2"NPT-f	outlet 1/2"NPT-f	vent 1/4" NPT-f (plugged)
venting bonnet 15° angle top side	isolating bonnet front side	stem HS	packing PTFE
pressure 413 (6000) bar (psi)	temperature 240°C	bracket holes provided	

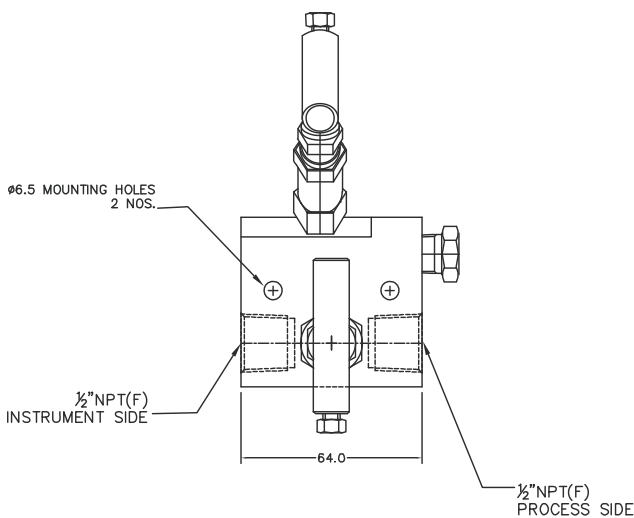
design information

- self aligning metal seats
- compact design
- non-rotating spindle tip
- metal seal between body and bonnet
- bonnet locking pins
- safety back seating T-bar
- full traceability of all materials
- 100% pressure tested

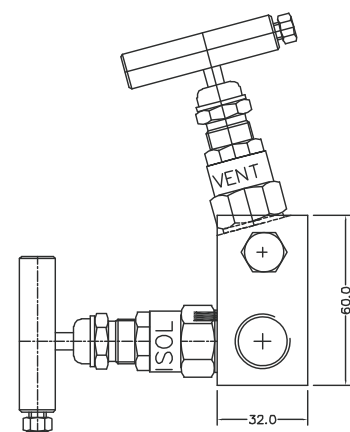
flow diagram



dimensional drawings



front



side

M2A - additional information

options and special execution at extra cost

material	carbon steel, AISI316L, AISI304, Monel, Hastelloy
inlet	other sizes on request
outlet	other sizes on request
stem	SO
gland packing	PTFE glass filled, graphoil
pressure	up to 700 bar (10.000 psi)
temperature	up to 550°C
handle	with anti tamper facility with removable T-bar key
plugs	hexagon blind plugs
support	for brackets see bracket datasheet
certificates	material, test and NACE certificates
cleaning	for oxygen service

design information

pressure table metal seal HS type

