



M2TF

**SANGAN** model M2TF is a two valve manifold that can be used for isolation, bleeding, calibration, and testing of instruments. The M2TF manifold has a female process connection and a male instrument connection. All SANGAN manifolds are available with a variety of seat and seal materials and are fully tested under pressure in the factory. This valve is available with a standard HS stem with conical tip to ensure perfect alignment for a bubble tight shut-off

## direct mounted two valve instrument manifold

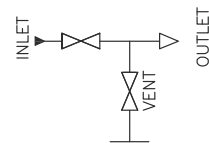
### technical specification model

<b>material</b> AISI316	<b>inlet</b> 1/2" NPT-f	<b>outlet</b> 1/2" NPT-m	<b>vent</b> 1/4" NPT-f (plugged)
<b>venting bonnet</b> left hand side	<b>isolating bonnet</b> right hand side	<b>stem</b> HS	<b>packing</b> PTFE
<b>pressure</b> 413 (6000) bar (psi)	<b>temperature</b> 240°C	<b>bracket holes</b> -	

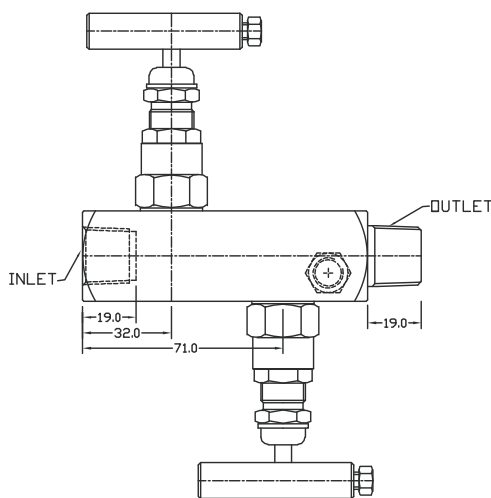
### design information

- self aligning metal seats
- compact design
- non-rotating spindle tip
- metal seal between body and bonnet
- bonnet locking pins
- safety back seating T-bar
- full traceability of all materials
- 100% pressure tested

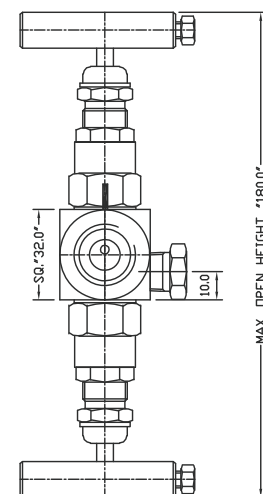
### flow diagram



### dimensional drawings



front



side

## M2TF - additional information

---

### options and special execution at extra cost

moc	carbon steel, AISI316L, AISI304, Monel, Hastelloy
inlet	other sizes on request
outlet	other sizes on request
stem	SO
gland packing	PTFE glass filled, graphoil
pressure	up to 700 bar (10.000 psi)
temperature	up to 550°C
handle	with anti tamper facility with removable T-bar key
plugs	hexagon blind plugs
certificates	material, test and NACE certificates
cleaning	for oxygen cleaning

### design information

#### pressure table metal seal HS type

