



TP18

SANGAN gasfilled model TP18 series thermometer is available as 100/160 mm. These gasfilled thermometers are suitable for measurement of exhaust temperatures on engines and meet the highest standards of measurement technique.

The standard connection on these thermometers is an adjustable fitting in order to give more flexibility to stem length immersions.

stainless steel gasfilled exhaust thermometer

mounting variations

- type A bottom connection, direct mounting
- type C surface mounting, bottom connection
- type D back connection, direct mounting
- type E panel mounting, back connection
- type F panel mounting, bottom connection
- type TGE every angle connection, direct mounting

technical specification model BDTP18

| | | | |
|----------------------------------|--------------------------|------------------------------------|--|
| diameter 100/160 mm | dial aluminium | window glass | ranges from 0+650 °C |
| casing AISI304 bayonet | stem AISI316 | element elastic spring | connection 1/2" bsp adjustable |
| bezel AISI304 bayonet | stem dia 12 mm | pointer adjustable micro | accuracy 1.0% FSD |

Note: standard without anti vibration spring

options and special executions at extra costs

| | |
|---------------------|--|
| casing | AISI316 |
| bezel | AISI316 |
| window | safety glass |
| dials | customized -i.e., non standard ranges or logos |
| certificates | calibration-; conformity-; material |
| manuals | installation and maintenance |
| connection | NPT, METRIC, BSPT, acc JIS in various sizes |
| connection type | fixed or without connection |
| connection position | top or side |
| red pointer | on dial |
| filling | glycerine, silicone, fluorolube up to 160 °C |
| stem diameters | 3/8" / 1/2" / 8 mm / 10 mm |
| special version | with anti vibration spring |

Tp18 - technical data sheet

operating details

working range

| | limitations |
|--------------------------|-------------------------------------|
| Permanent | measuring range per DIN13 190 |
| Short time (≤ 1 h) | 1,2 x measuring range up to 500 °C |
| | 1,1 x measuring range beyond 500 °C |

temperature limitations

| | ambient | process |
|-------------------|-----------------|----------------|
| without filling | -40 °C to 60 °C | 0 °C to 650 °C |
| glycerine filling | -25 °C to 60 °C | 15 °C to 80 °C |
| silicone filling | -40 °C to 60 °C | 0 °C to 250 °C |

pressure rating of stem

25 bar maximum (without termowell)

design information

ingress protection

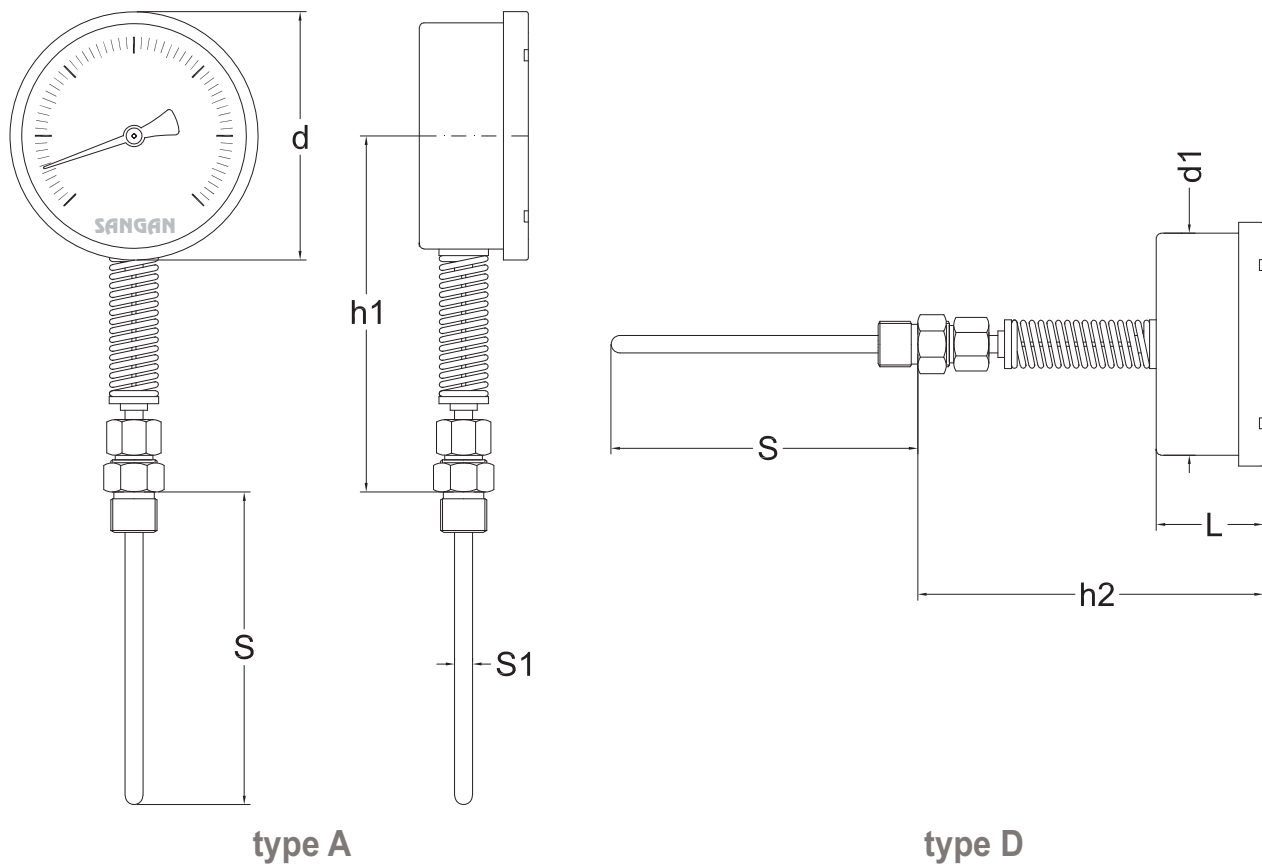
IP 54 per EN 60 529 / IEC 529

IP 65 per EN 60 529 / IEC 529 (liquid filling only)

design

DIN 13 190

drawings



dimensions

| a d | d | L | h | h1 | S | S1 | | |
|-----|-----|-----|----|----|-----|-----|------------|----|
| 100 | 110 | 100 | 49 | | 175 | 174 | to specify | 12 |
| 160 | 160 | 149 | 50 | | 200 | 175 | to specify | 12 |

Note : dimensions are in mm