



BDTG18-SKIN

SANGAN gasfilled model TG18-skin series thermometer is available as 100/160 mm. These gasfilled thermometers are suitable for corrosive media and environments in chemical process, petroleum and food industries and meet the highest standards of measurement technique and are used when temperature must be measured on the surface of a pipe. The contact bulb is to be mounted in a way that it lays over the measuring point over its full length. To be connected to the pipe by means of pipe brackets to achieve good thermal contact.

stainless steel gasfilled skin thermometer

mounting variations

- type A bottom connection, direct mounting
- type C surface mounting, bottom connection
- type D back connection, direct mounting
- type E panel mounting, back connection
- type F panel mounting, bottom connection
- type TGE every angle connection, direct mounting

technical specification model TG18-skin

diameter 100/160 mm	dial aluminium	window glass	ranges from -80/650 °C
casing AISI304 bayonet	stem AISI316	element elastic spring	connection pipe brackets
bezel AISI304 bayonet	stem dia pipe surface	pointer adjustable micro	accuracy 1.0% FSD

options and special executions at extra costs

casing	AISI316
bezel	AISI316
window	safety glass
dials	customized – i.e., non standard ranges or logos
certificates	calibration -; conformity -; material.
manuals	installation and maintenance
connection position	top or side
drag-pointer system	for dia 100/160 mm (plastic window only, max 160 °C)
red pointer	on dial
filling	glycerine; silicone; fluorolube up to 160 °C

TG18-SKIN - technical data sheet

operating details

working range

	limitations
Permanent	measuring range per DIN13 190
Short time (≤ 1 h)	1,2 x measuring range up to 500 °C
	1,1 x measuring range beyond 500 °C

temperature limitations

	ambient	process
without filling	-40 °C to 60 °C	-80 °C to 650 °C
glycerine filling	-25 °C to 60 °C	15 °C to 80 °C
silicone filling	-40 °C to 60 °C	-45 °C to 250 °C

design information

ingress protection

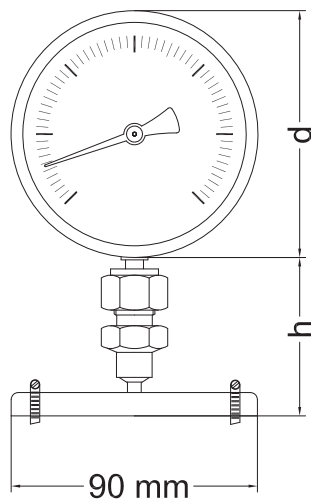
IP 54 per EN 60 529 / IEC 529

IP 65 per EN 60 529 / IEC 529 (liquid filling only)

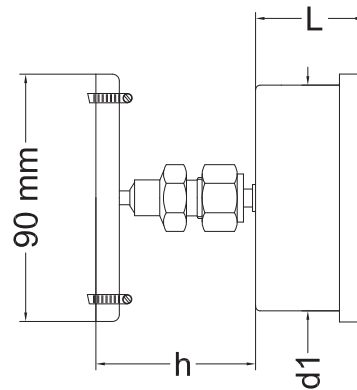
design

DIN 13 190

drawings



type A



type D

dimensions

ns	d	d1	L	h	-	-	-
100	110	100	49	to specify			
160	160	149	50	to specify			

Note : dimensions are in mm