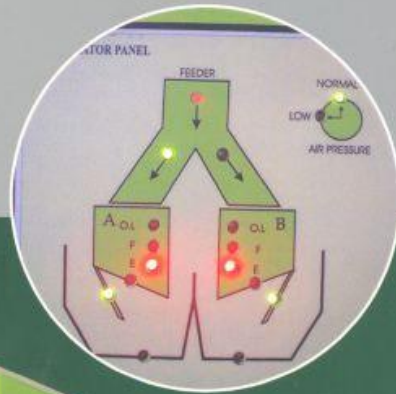




ماشین RTM-10

PROCESS SCALE



RTM-10
15 t/h
10 gr/batch

Application: • Continuous Weighing & Registration of Total (Powdery & Granular Bulk Products)
• Rate Measurement & Display

- توزین پیوسته و ثبت مجموع وزن مواد فله عبوری (گرانول-پودر)
- اندازه گیری و نمایش نرخ (Rate) مواد عبوری

MAH-MACHINE

شرکت طراحی مهندسی

MAH-MACHINE Design & Eng. Co. LTD.

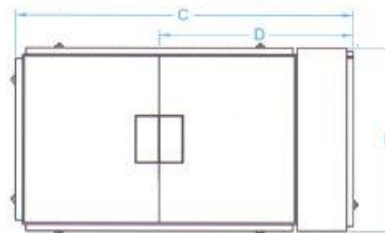
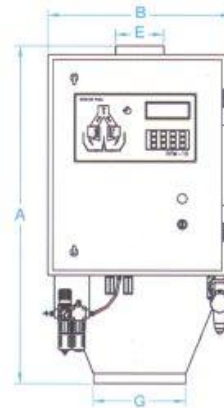
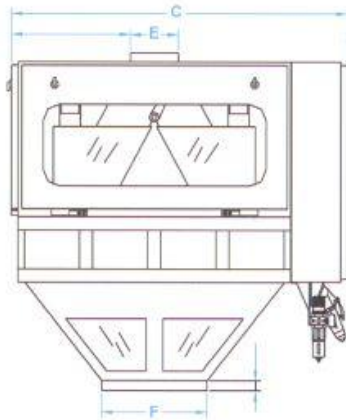
Process scale RTM-10

FEATURES:

- 1 Double digital weighing system
- 2 Maximum weighing capacity: 25Kg
- 3 Accuracy: ± 10 gr
- 4 Each bucket volume: 20 Liters
- 5 RTC (Real Time Clock)
- 6 Date manipulation detection
- 7 Auto internal diagnostic system & mimic panel
- 8 RS- 485
- 9 E2PROM for date specified total weight
- 10 Flow rate: 5-15 t/h (depending on material)
- 11 Power consumption: 220VAC-1 PH-50 Hz / 100W
- 12 Air pressured consumption: 350L/h @ 6-8 bar

مشخصات:

- 1 سیستم توزین دیجیتال
- 2 ظرفیت توزین ماکزیمم 25 kg
- 3 دقت توزین ± 10 gr
- 4 حجم هر باکت توزین 20 Liters
- 5 ساعت و تقویم بی نیاز به برق و باتری (RTC).
- 6 تشخیص هر گونه دستکاری در تاریخ
- 7 عیب یاب داخلی و Mimic Panel
- 8 سریال پورت (RS-485)
- 9 حافظه E2PROM جهت ثبت مجموع وزن مواد عبوری به تفکیک تاریخ
- 10 ظرفیت: 5 تا 15 تن بر ساعت با توجه به نوع مواد
- 11 برق مصرفی 220VAC-1PHz/100 W
- 12 حجم باد مصرفی 350L/h @ 6-8 bar



DIMENSION (mm)

Model	A	B	C	D	E	F	G
RTM 10	1035	560	1024	587	146	320	280

Sahand Designers: 0072590049

- Unit 4, No. 14, 10th St, Ghaem-Magham Ave., Tehran - IRAN
- Post code: 1586877115
- Tel: 0098 21 88506948
88731937, 88738618
- Fax: 0098 21 88738419

- نشانی: تهران، خیابان قائم مقام فر اهانی، پلاک 4
- از خیابان مطهری، خیابان دهم، شماره 14، واحد 4
- کد پستی: 1586877115
- تلفن: 0098 21 88506948، 88731937، 88738618
- فکس: 0098 21 88738419

- Web.Site: www.mah-machine.com
- Email: mail@mah-machine.com

RTM-10 is an useful machine for measuring rate and total amount of material continually. RTM-10 is designed under a very close supervision with an accurate designing and manufacturing process, and can be used in heavy working conditions. This machine is utilizing an accurate digital weighing system that guaranty correct measurement of parameters of flowing material. Regarding the special designing of the base and structure of the machine , a minimal installation time is required and can be installed in a few hours. Here is some features of this machine :

Features:

1. Capacity 15 tons/h
2. Suitable for granular and powder material
3. Rate and total measurement
4. Log memory
5. Very powerful in a data acquisition system
6. Software setting
7. Display.....Large LCD 4X20
8. Serial portRS-485
9. Internal Diagnostic & Mimic Panel
10. User friendly software
11. Minimal setting
12. Foundation-Free Installation (on upper floors)
13. Power1PH/220V/50HZ/1KW

Application:

Powdery & Granular Bulk Products

Mah Machine Design & Engineering Co.

Unit 5, No.7, 10th St., Ghaem Magham Ave ., Tehran 15868-77115, Iran
P.O.Box :15875-4434 Tehran

Phone : 0098-21-88510768-9
0098-21-88738618
0098-21-88731937
0098-21-88541419
Fax : 0098-21-88738419

E-mail : mail@mah-machine.com
Website : www.mah-machine.com

