



مايکروفيدر اتوماتيک

AUTOMATIC
MICRO FEEDER

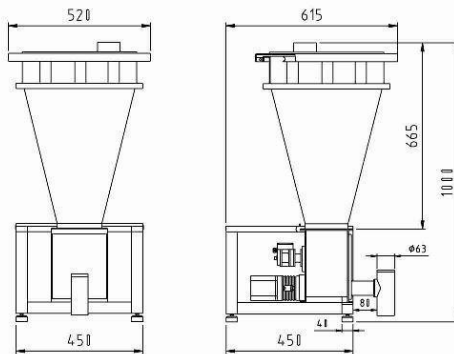
VMF 3000



Mah Machine
MAH-MACHINE Design & Eng. Co. LTD.

شرکت طراحی مهندسی

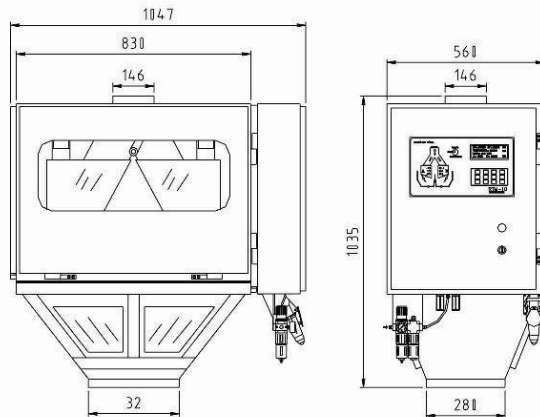
AUTOMATIC MICROFEEDER



Features:

- Bin capacity 40 liters
- Body material Stainless steel
- Feed rate up to 30 kg/h
- Bin empty sensor
- Weight 40 kg
- Interlock capability
- Accuracy $\pm 5\%$
- Software Calibration
- Display Large LCD 4X20
- Serial port RS-485
- Internal Diagnostic & Mimic Panel
- Foundation-Free installation (on upper floors)
- Power 1PH/220V/50HZ/250W

RTM-10



Features:

- Capacity 15 tons/h
- Suitable for granular and powder material
- Rate and total measurement
- Log memory
- Very powerful in a data acquisition system
- Software setting
- Display Large LCD 4X20
- Serial port RS-485
- Internal Diagnostic & Mimic Panel
- User friendly software
- Minimal setting
- Foundation-Free Installation (on upper floors)
- Power 1PH/220V/50HZ/1KW

VMF-20MVF microfeeder may be used for feeding micro ingredients in continuous to a substantial material . This machine can be connected to any rate meter device to read the actual rate of base material, Consequently microfeeder can calculate feed rate of additive and adjust output rate very accurately. We recommend using this machine when a minor feeding with high accuracy and good repeatability is needed.

Regarding the special designing of the base and structure of the machine , a minimal installation time and space is required and can be installed in a few hours.

Here is some features of this machine :

Features:

- Bin capacity.....40 liters
- Body material Stainless steel
- Feed rate up to 30 kg/h
- Bin empty sensor
- Weight 40 kg
- Interlock capability
- Accuracy..... ± 5%
- Software Calibration
- Display.....Large LCD 4X20
- Serial portRS-485
- Internal Diagnostic & Mimic Panel
- Foundation-Free Installation (on upper floors)
- Power1PH/220V/50HZ/250W

Application: Foods, Drugs, Chemical mixture

Options: RTM-10 (mah-machine Rate Total Meter)

Mah Machine Design & Engineering Co.

Unit 5, No.7, 10th St., Ghaem Magham Ave ., Tehran 15868-77115, Iran
P.O.Box :15875-4434 Tehran

Phone : **0098-21-88510768-9**
0098-21-88738618
0098-21-88731937
0098-21-88541419

Fax : **0098-21-88738419**

E-mail : mail@mah-machine.com

Website : www.mah-machine.com