



## **SPECIFICATIONS OF EATERON R600a COMPRESSOR**

**MODEL NAME: PE200CAS**

**RATEDVOLTAGE & FREQUENCY: 220-240V ~ 50Hz**

**PRINTED DATE: Dec.19, 2019**

**MANUFACTURER**

---

**SHENZHEN EATERON COMPANY LIMITED**

**深圳东橙商贸有限公司**

**压缩机规格简述 (Specification of Compressor) :**

型号 (Model)	电压 (Voltage)	频率 (Frequency)
PE200CAS	220-240V	50Hz

**性能&尺寸 (Performance & Dimension)****应用参数 Application:**

类型 Type	低背压 Low Back Pressure
蒸发温度范围 Evaporating temp. rang	-35 ~ -15 °C
制冷剂 Refrigerant	R600a
节流方式 Refrigerant control	毛细管节流 (Capillary tube)
压缩机冷却方式 Compressor cooling	自然冷却 Static Cooling

**常规性能 Normal Performance (ASHRAE) 50Hz:**

制冷量 Cooling capacity (W±5%)	200
消耗功率 Power consumption (W±15%)	108
能效比: COP Efficiency: COP (W/W±5%)	1.85
噪音 Noise (dA)	≤43

**测试条件 Testing condition**

蒸发温度 Evaporation Temp	-23.3°C
冷凝温度 Condensing Temp	54.4°C
环境温度 Ambient Temp	32.2°C
回气温度 Return Gas Temp	32.2°C
过冷温度 Liquid Temp	32.2°C

**压缩机数据 Compressor Data**

<b>设计 Design</b>	Reciprocating
<b>容积 Displacement</b>	11.3 cm <sup>3</sup>
<b>吸气管内径 Suction tube I.D</b>	φ 6.40-6.50mm
<b>工艺管内径 Process tube I.D</b>	φ 6.40-6.50mm
<b>排气管内径 Discharge tube I.D</b>	φ 4.90-5.00mm
<b>重量 Weight(with oil charge)</b>	10±0.15Kg

**电机数据 Motor Data**

<b>电机类型 Motor type</b>	RSCR
<b>电机保护 Motor protection</b>	External protection
<b>绝缘等级 Winding Insulation Class</b>	E Class

**电器元件 Electrical components**

<b>过载保护器 Overload Protector Type</b>	DRB135P61A2/BT27-125
<b>U.T.C Ultimate Trip current at 70°C</b>	0.7 ~ 1.0 A
<b>断开温度 Opening temp.</b>	125±5°C
<b>复位温度 Closing temp.</b>	69±9°C
<b>制造商 Manufacture</b>	Star Shuaier/Lan Xi

<b>启动器 Starting Device Type</b>	QP2-22/JPQⅡ-15
<b>制造商 Manufacture</b>	Star Shuaier/Lan Xi

<b>Running Capacitor Capacity and Voltage</b>	5μF , 450V
<b>Starting Capacitor Capacity and Voltage</b>	N.A, N.A.

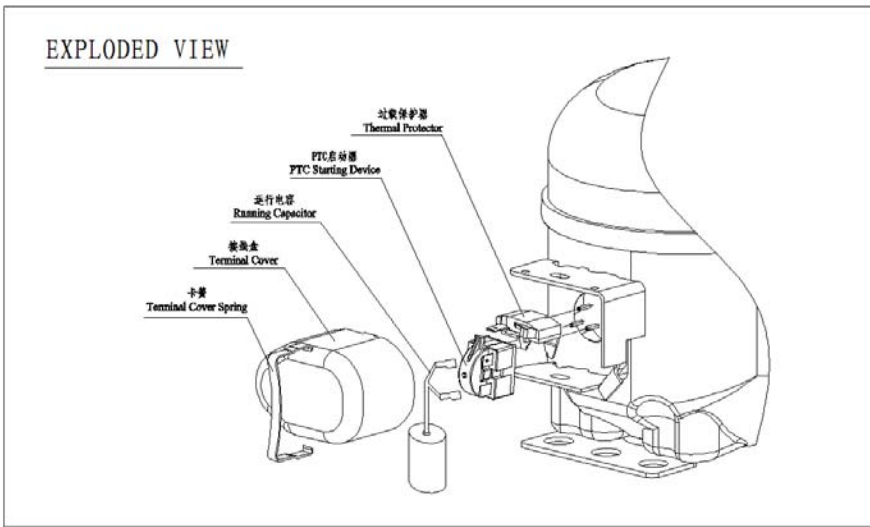
**润滑剂 Lubricant**

<b>类型 Lubricant type</b>	Mineral oil
<b>牌号 Lubricant grade</b>	GRD10B
<b>注油量 Initial charge</b>	250±10 ml
<b>Recharge</b>	85%

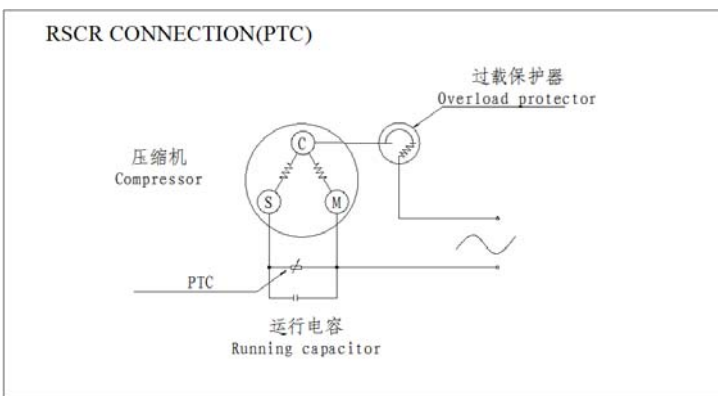
**附件清单 ACCESSORY PART LIST**

<b>ACCESSORY PART LIST</b>		<b>QTY</b>	<b>SPECIFICATION</b>
ELECTRICAL PARTS	Overload Protector + SPRING TAPS	1	DRB135P61A2/BT27-125
ELECTRICAL PARTS	STARTING DEVICE	1	QP2-22/JPQⅡ -15
ELECTRICAL PARTS	TERMINAL COVER + SPRING TAPS	1	PC, SPRING STEEL
ELECTRICAL PARTS	RUNNING CAPACITOR	1	5μF, 450V
ELECTRICAL PARTS	Ground screw assembly	1	
MOUNTING PARTS	Rubber Grommet	4	
MOUNTING PARTS	Mounting Sleeve	4	
MOUNTING PARTS	Install flat pad	4	
MOUNTING PARTS	Spring washer	4	
MOUNTING PARTS	Mounting Nut	4	
MOUNTING PARTS	Mounting Bolt	4	

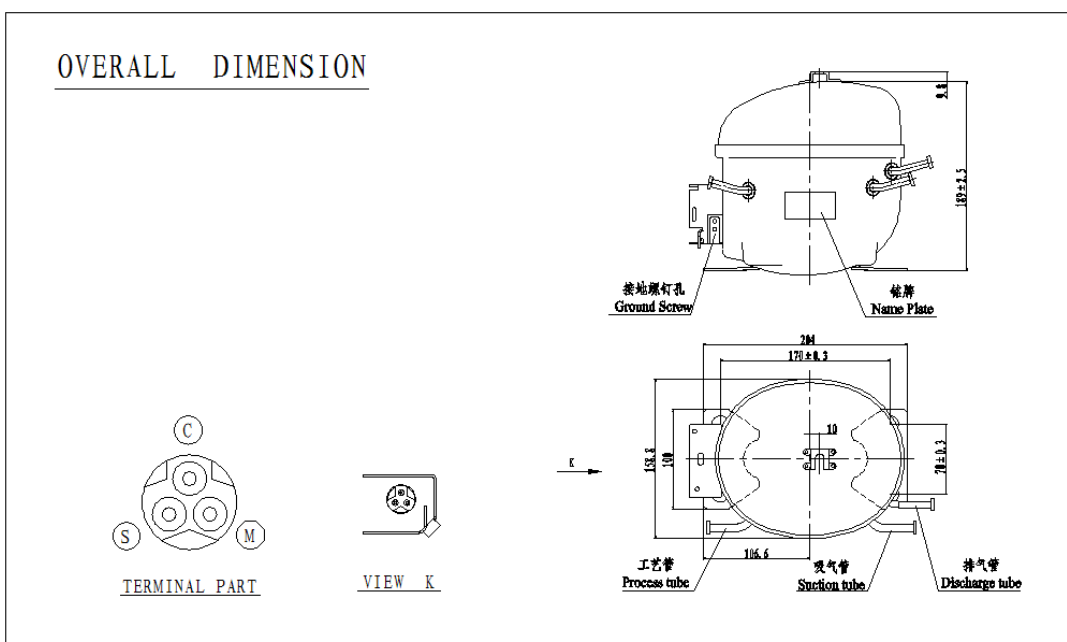
附图 1 Drawing 1



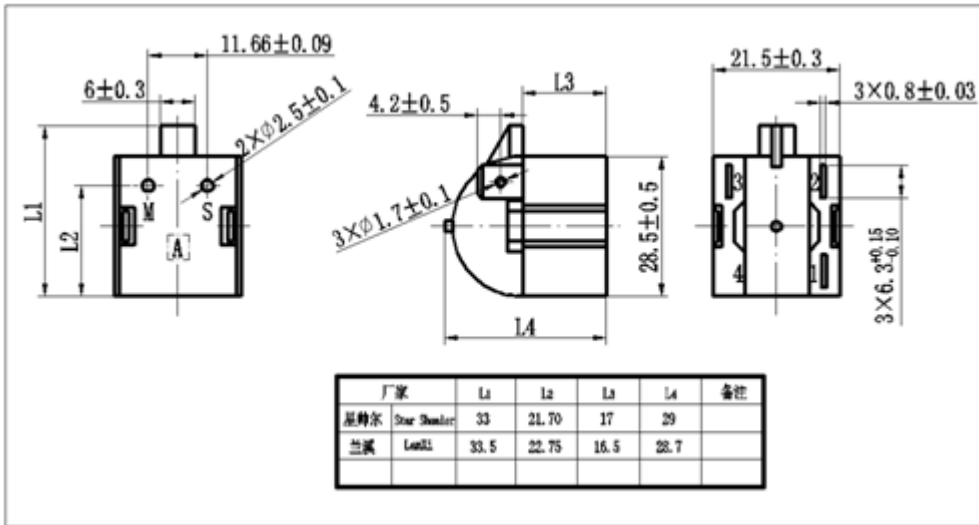
附图 2 Drawing 2 RSCR



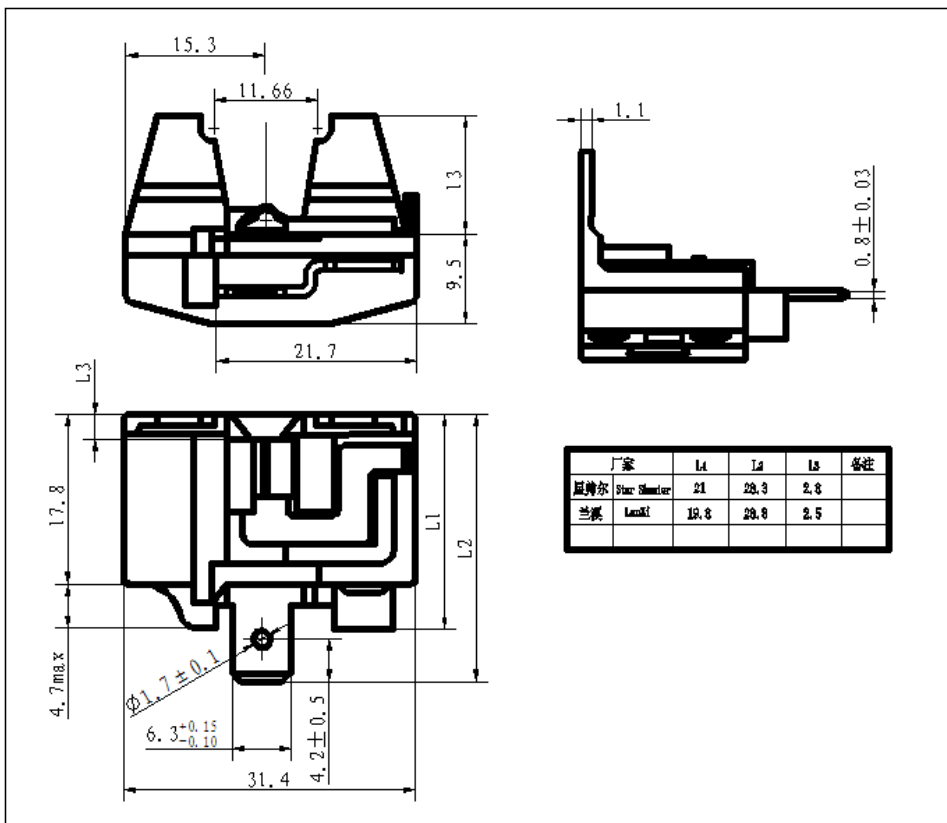
附图 3 Drawing 3 OVERALL DIMENSION



附图 4 Drawing 4 Starting Device



附图 5 Drawing 5 Overload Protector



END

