



SPECIFICATIONS OF EATERON R134a COMPRESSOR

MODEL NAME: PE195HAS

RATEDVOLTAGE & FREQUENCY: 220-240V ~ 50Hz

PRINTED DATE: Oct.27, 2019

MANUFACTURER

SHENZHEN EATERON COMPANY LIMITED

深圳东橙商贸有限公司

压缩机规格简述 (Specification of Compressor):

型号 (Model)	电压 (Voltage)	频率 (Frequency)
PE195HAS	220-240V	50Hz

性能 & 尺寸 (Performance & Dimension)**应用参数 Application:**

类型 Type	低背压 Low Back Pressure
蒸发温度范围 Evaporating temp. rang	-35 ~ -15 °C
制冷剂 Refrigerant	R134a
节流方式 Refrigerant control	毛细管节流 (Capillary tube)
压缩机冷却方式 Compressor cooling	自然冷却 Static Cooling

常规性能 Normal Performance (ASHRAE) 50Hz:

制冷量 Cooling capacity (W±5%)	196
消耗功率 Power consumption (W±15%)	124
能效比: COP Efficiency: COP (W/W±5%)	1.58
噪音 Noise (dA)	≤42

测试条件 Testing condition

蒸发温度 Evaporation Temp	-23.3°C
冷凝温度 Condensing Temp	54.4°C
环境温度 Ambient Temp	32.2°C
回气温度 Return Gas Temp	32.2°C
过冷温度 Liquid Temp	32.2°C

压缩机数据 Compressor Data

设计 Design	Reciprocating
容积 Displacement	7.0cm ³
吸气管内径 Suction tube I.D	φ 6.45-6.55mm
工艺管内径 Process tube I.D	φ 6.45-6.55mm
排气管内径 Discharge tube I.D	φ 4.90-5.00mm
重量 Weight(with oil charge)	9.7±0.15Kg

电机数据 Motor Data

电机类型 Motor type	RSCR
电机保护 Motor protection	External protection
绝缘等级 Winding Insulation Class	B Class

电器元件 Electrical components

过载保护器 Overload Protector Type	DRB186P61A2/BT48-125A61D3/BT48-125
U.T.C Ultimate Trip current at 70°C	1.05 ~ 1.35A
断开温度 Opening temp.	125±5°C
复位温度 Closing temp.	61±9°C
制造商 Manufacture	Star Shuaier/ SenBao/Llanxi

启动器 Starting Device Type	QP2-15 A/QP2-15 A/JPQⅡ -15 A
制造商 Manufacture	Star Shuaier/ SenBao/Llanxi

Running Capacitor Capacity and Voltage	3μF , 450V
Starting Capacitor Capacity and Voltage	N.A, N.A.

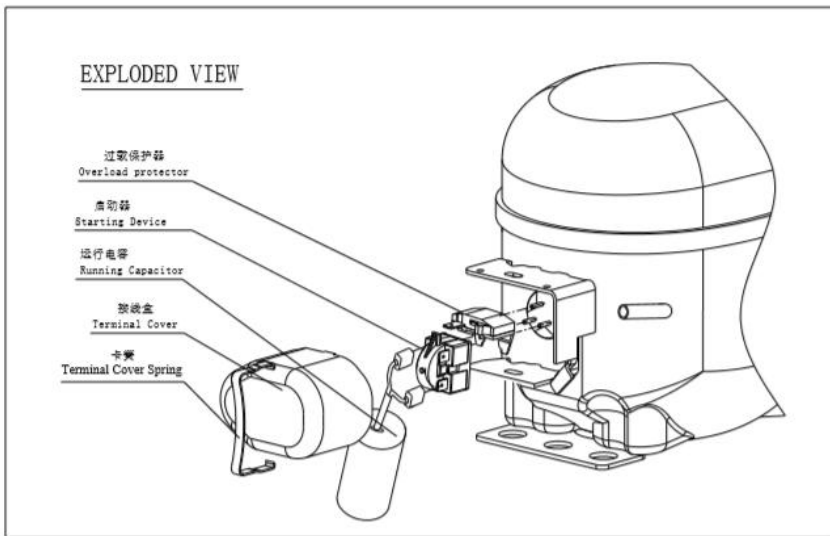
润滑剂 Lubricant

类型 Lubricant type	酯类油 Polyol Ester(POE)
牌号 Lubricant grade	RL15M & RB-15HY-SN
注油量 Initial charge	250±10 ml
Recharge	85%

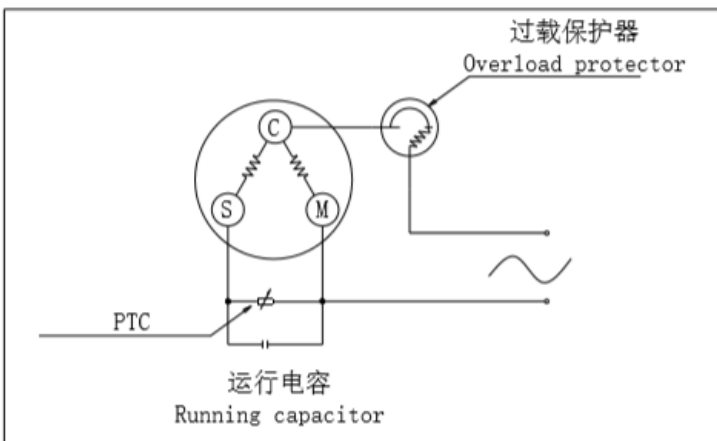
附件清单 ACCESSORY PART LIST

ACCESSORY PART LIST		QTY	SPECIFICATION
ELECTRICAL PARTS	Overload Protector	1	DRB186P61A2/BT48-125A 61D3/BT48-125 (004)
ELECTRICAL PARTS	STARTING DEVICE	1	QP2-15 A/QP2-15 A/ JPQII -15 A (016)
ELECTRICAL PARTS	TERMINAL COVER + SPRING TAPS	1	ABS, SPRING STEEL
ELECTRICAL PARTS	RUNNING CAPACITOR	1	3μF
ELECTRICAL PARTS	Ground screw assembly	1	
MOUNTING PARTS	Rubber Grommet	4	
MOUNTING PARTS	Mounting Sleeve	4	
MOUNTING PARTS	Install flat pad	4	
MOUNTING PARTS	Spring washer	4	
MOUNTING PARTS	Mounting Nut M6	4	
MOUNTING PARTS	Mounting Bolt M6×30	4	

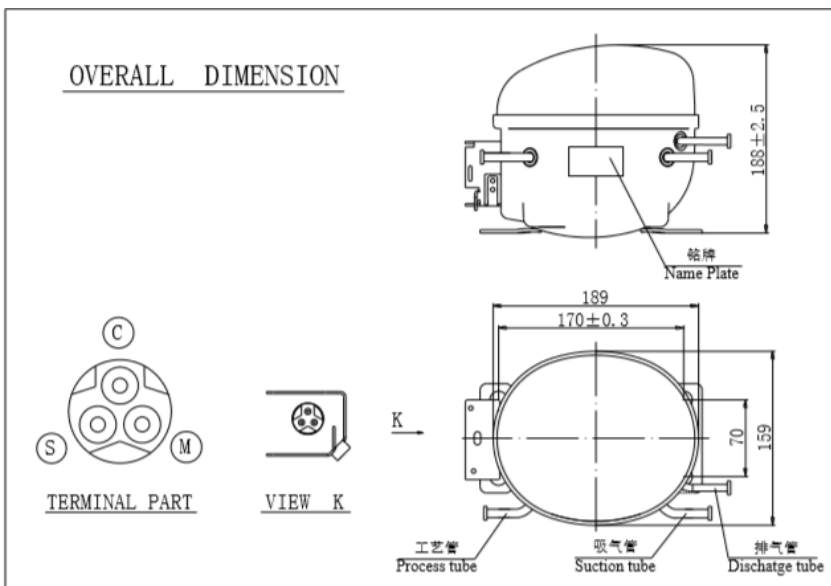
附图 1 Drawing 1



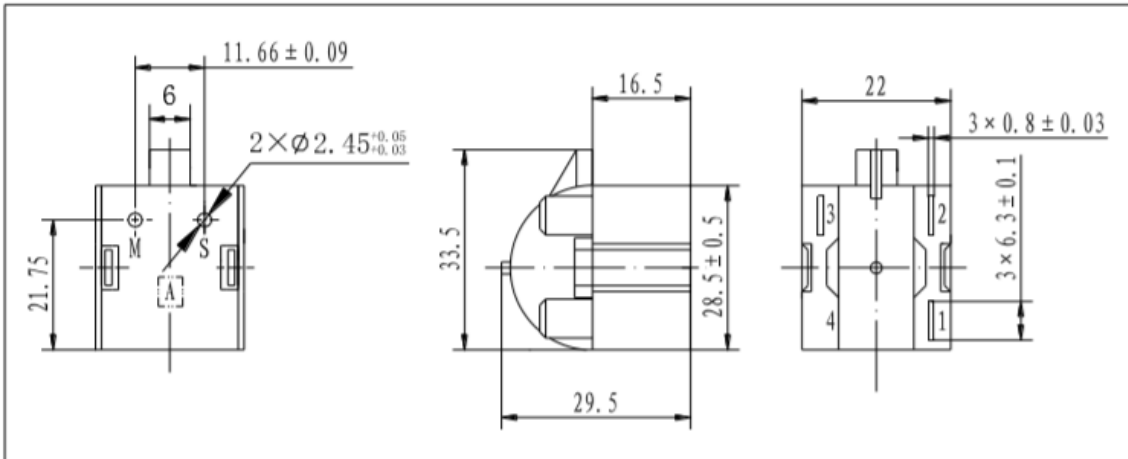
附图 2 Drawing 2 RSCR



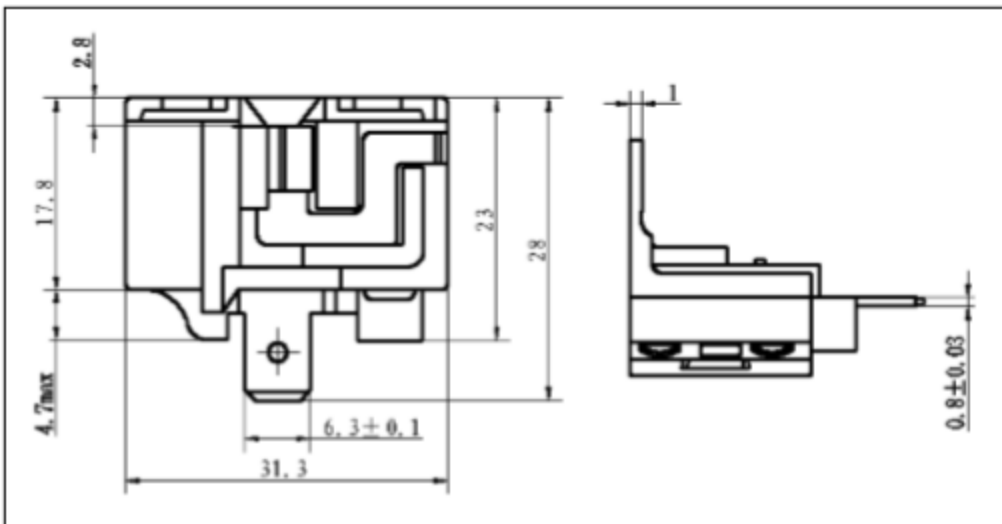
附图 3 Drawing 3 OVERALL DIMENSION



附圖 4 Drawing 4 Starting Device



附圖 5 Drawing 5 Overload Protector



—
END

