



SPECIFICATIONS OF EATERON R600a COMPRESSOR

MODEL NAME: PE098CAS

RATEDVOLTAGE & FREQUENCY: 220-240V ~ 50Hz

PRINTED DATE: Dec.12, 2019

MANUFACTURER

SHENZHEN EATERON COMPANY LIMITED

深圳东橙商贸有限公司

压缩机规格简述 (Specification of Compressor) :

型号 (Model)	电压 (Voltage)	频率 (Frequency)
PE098CAS	220-240V	50Hz

性能&尺寸 (Performance & Dimension)**应用参数 Application:**

类型 Type	低背压 Low Back Pressure
蒸发温度范围 Evaporating temp. rang	-35 ~ -15 °C
制冷剂 Refrigerant	R600a
节流方式 Refrigerant control	毛细管节流 (Capillary tube)
压缩机冷却方式 Compressor cooling	自然冷却 Static Cooling

常规性能 Normal Performance (ASHRAE) 50Hz:

制冷量 Cooling capacity (W±5%)	98
消耗功率 Power consumption (W±15%)	53
能效比: COP Efficiency: COP (W/W±5%)	1.85
噪音 Noise (dA)	≤40

测试条件 Testing condition

蒸发温度 Evaporation Temp	-23.3°C
冷凝温度 Condensing Temp	54.4°C
环境温度 Ambient Temp	32.2°C
回气温度 Return Gas Temp	32.2°C
过冷温度 Liquid Temp	32.2°C

压缩机数据 Compressor Data

设计 Design	Reciprocating
容积 Displacement	5.2 cm ³
吸气管内径 Suction tube I.D	φ 6.40-6.50mm
工艺管内径 Process tube I.D	φ 6.40-6.50mm
排气管内径 Discharge tube I.D	φ 4.90-5.00mm
重量 Weight(with oil charge)	5.5±0.15Kg

电机数据 Motor Data

电机类型 Motor type	RSCR
电机保护 Motor protection	External protection
绝缘等级 Winding Insulation Class	E Class

电器元件 Electrical components

过载保护器 Overload Protector Type	DRB135P61A2
U.T.C Ultimate Trip current at 70°C	0.45 ~ 0.65A
断开温度 Opening temp.	120±5°C
复位温度 Closing temp.	61±9°C
制造商 Manufacture	Star Shuaier

启动器 Starting Device Type	QPE2-A15MD3
制造商 Manufacture	Star Shuaier

Running Capacitor Capacity and Voltage	3μF , 450V
Starting Capacitor Capacity and Voltage	N.A, N.A.

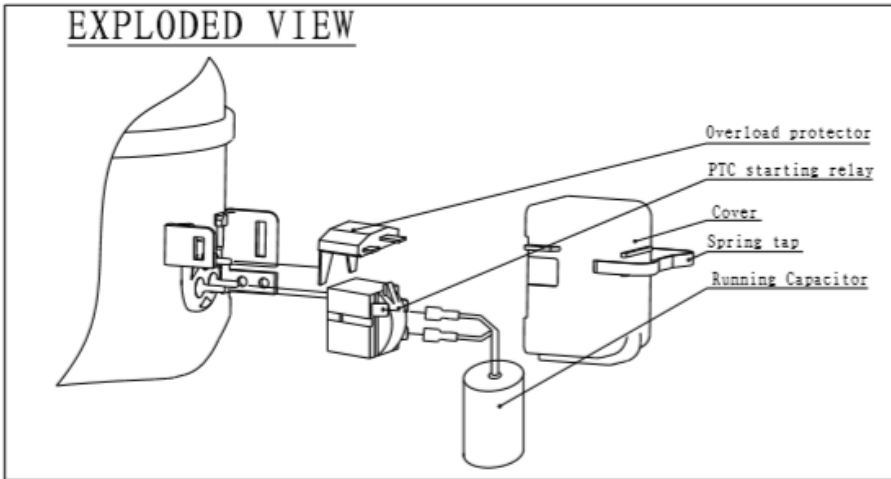
润滑剂 Lubricant

类型 Lubricant type	Mineral oil
牌号 Lubricant grade	GRD10B & S10
注油量 Initial charge	110±10 ml
Recharge	85%

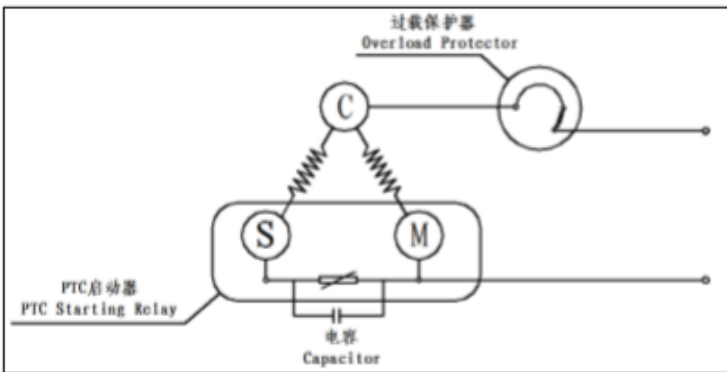
附件清单 ACCESSORY PART LIST

ACCESSORY PART LIST		QTY	SPECIFICATION
ELECTRICAL PARTS	Overload Protector + SPRING TAPS	1	DRB135P61A2
ELECTRICAL PARTS	STARTING DEVICE	1	QPE2-A15MD3
ELECTRICAL PARTS	TERMINAL COVER + SPRING TAPS	1	PC, SPRING STEEL
ELECTRICAL PARTS	RUNNING CAPACITOR	1	3μF, 450V
ELECTRICAL PARTS	Ground screw assembly	1	
MOUNTING PARTS	Rubber Grommet	4	
MOUNTING PARTS	Mounting Sleeve	4	
MOUNTING PARTS	Install flat pad	4	
MOUNTING PARTS	Spring washer	4	
MOUNTING PARTS	Mounting Nut M6	4	
MOUNTING PARTS	Mounting Bolt M6×30	4	

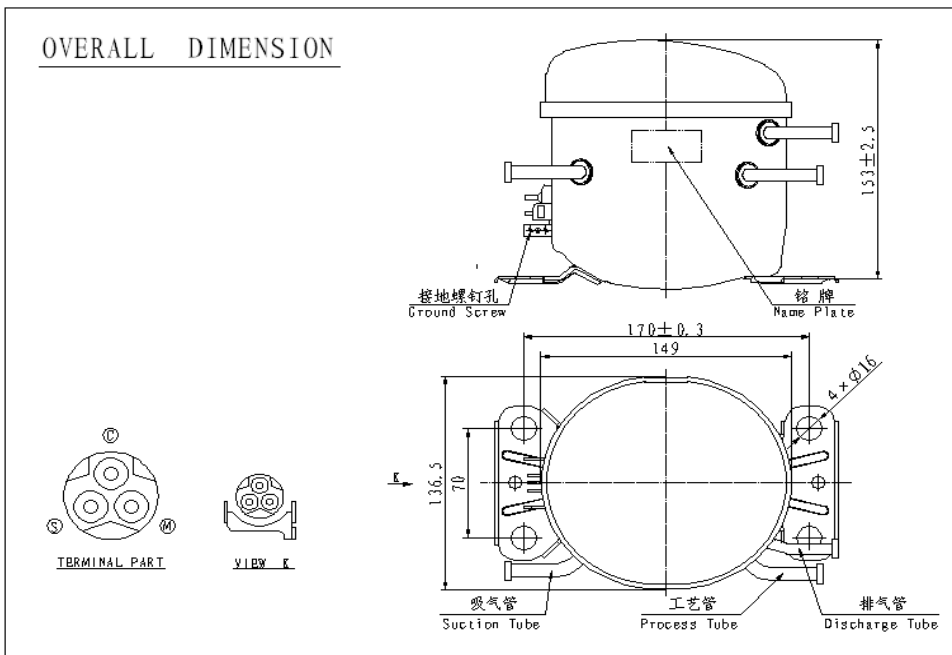
附图 1 Drawing 1



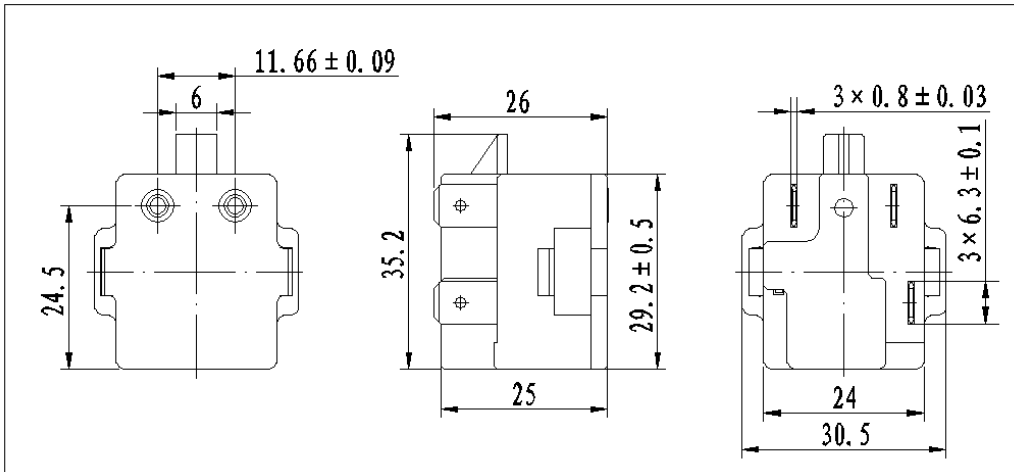
附图 2 Drawing 2 RSCR



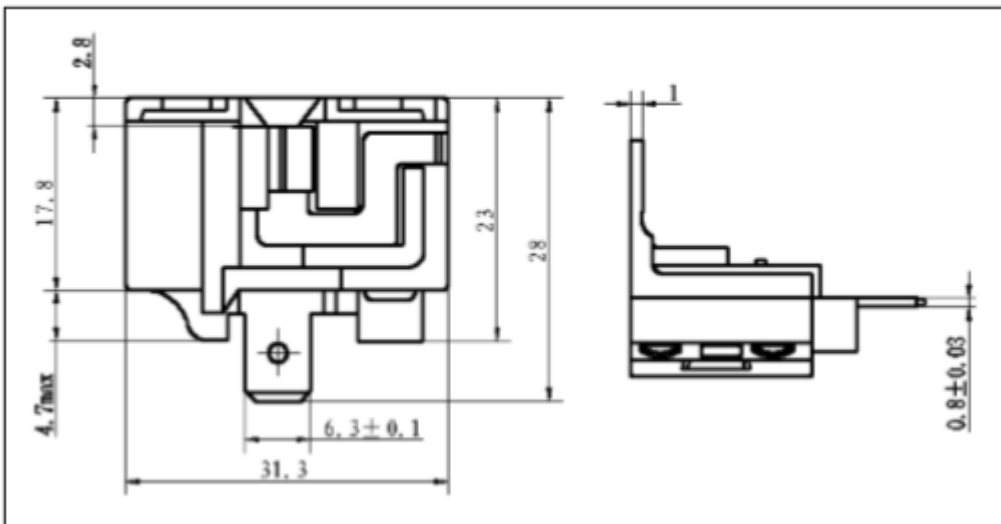
附图 3 Drawing 3 OVERALL DIMENSION



附圖 4 Drawing 4 Starting Device



附圖 5 Drawing 5 Overload Protector



END

