

# APPROVAL SHEET

SPECIFICATIONS OF EATERON R134a COMPRESSOR

MODEL NAME: B35HL

BUYER:

PRINTED DATE: July 7, 2017

MANUFACTURER

GUANGDONG SHUNDE EATERON ENTERPRISE LIMITED.

广东顺德艺敦贸易有限公司

# SPECIFICATION

● CUSTOMER:

FROM: GUANGDONG SHUNDE EATERON ENTERPRISE LIMITED.

广东顺德艺敦贸易有限公司

● MODEL: B35HL

DATE: July 7, 2017

● RATED VOLTAGE & FREQUENCY: 220-240V/50Hz

PREPARED	CHECKED	APPROVED
Yang Tianmin	Fan Hongxing	Zhang Changxiang

● SPEC. NO.:

● PARTS LIST

PART LIST		HUAYI SUPPLY	PART NO.	QTY	SPECIFICATION
COMPRESSOR	PERFORMANCE				
COMPRESSOR	WIRING DIAGRAM				
COMPRESSOR	EXPLODED VIEW				
ELECTRICAL PARTS	OLP + Spring taps			1	BT35-120/DRB16N61A1 (033)
ELECTRICAL PARTS	STARTING DEVICE			1	JPQ II -22/QP2-22
ELECTRICAL PARTS	TERMINAL COVER + SPRING TAPS			1	ABS, SPRING STEEL
ELECTRICAL PARTS	EARTH BOLT			1	
MOUNTING PARTS	SEAT RUBBER			4	
MOUNTING PARTS	MOUNTING SLEEVE			4	
MOUNTING PARTS	FLAT WASHER			4	

\*CUSTOMER' S MEMO\*

CUSTOMER' S APPROVAL	
Checked by:	Approved by:

## Performance & Dimension

### Application

Type .....	Low Back Pressure
Evaporating Temp. Range...	-35°C to -15°C(-31°F to 5°F)
Refrigerant.....	R134a
Refrigerant control.....	Capillary tube
Compressor cooling .....	Static cooling

### Normal Performance (ASHRAE) 50Hz

Capacity	Watt±5%	74
	Kcal/h±5%	64
	BTU/h±5%	252
Power consumption+15%		80
C. O. P.	W/W±5%	0.93
EER	BTU/(W. h) ±5%	3.17
NOISE	dB(A)	39

### Testing condition

Evaporation Temp. ....	-23.3°C (-10°F)
Condensing Temp. ....	54.4°C (130°F)
Ambient Temp. ....	32.2°C (90°F)
Return Gas Temp. ....	32.2°C (90°F)
Liquid Temp. ....	32.2°C (130°F)

### Compressor Date

Design.....	Reciprocating
Displacement.....	3.5cm <sup>3</sup>

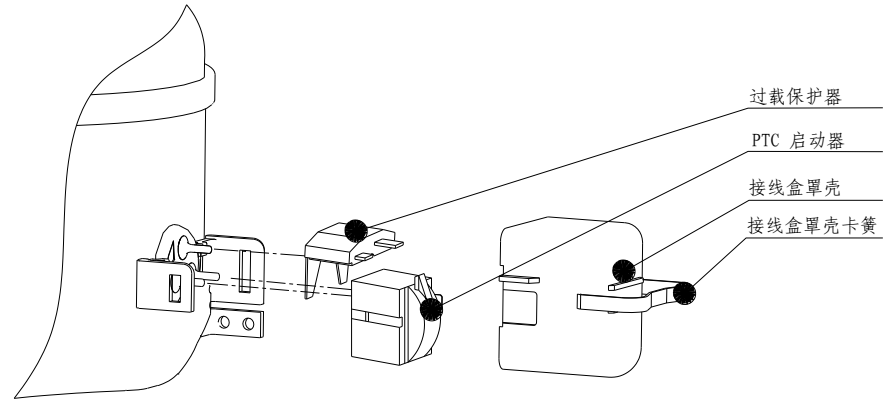
Suction Tube I.D.....	I. D6.10-6.20mm
Process Tube I.D.....	I. D6.10-6.20mm
Discharge Tube I.D.....	I. D5.10-5.20mm

Weight(with oil charge).....	5.4Kg
------------------------------	-------

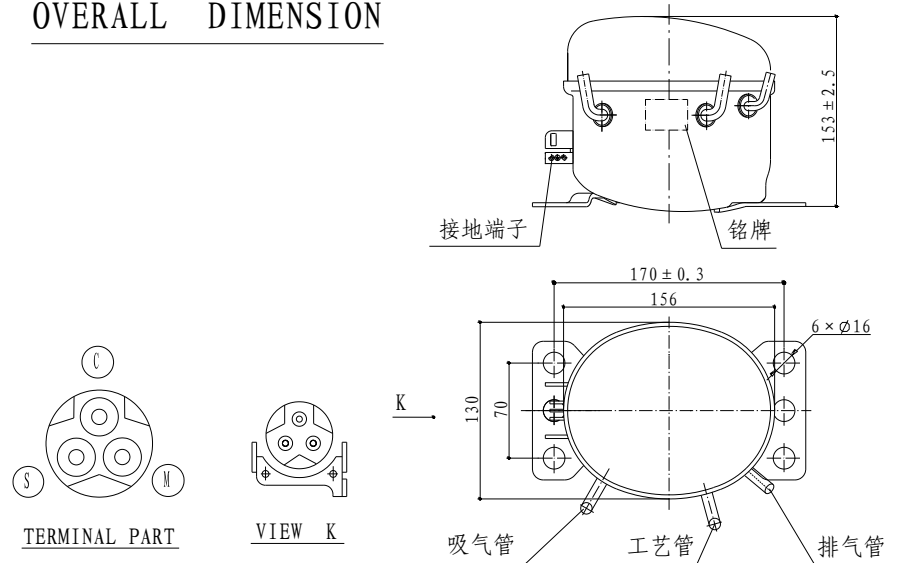
### Motor Date

Motor type .....	RSIR
Motor protection.....	External protection
Winding Insulation Class .....	B Class

### 附件分解图



### OVERALL DIMENSION



## Electrical components

Overload protector .....	BT35-120/DRB16N61A1
Ultimate Trip current (at 70°C)...	1.40~1.80A
Opening temperature.....	135±5°C
Closing temperature.....	61±9°C
Manufacture.....	Lanxi/Starshuaier

Starting Device .....	JPQ II -22/QP2-22
Manufacture .....	Lanxi/Starshuaier

Running Capacitor Capacity .....	N. A.
Voltage.....	N. A.
Starting Capacitor Capacity.....	N. A.
Voltage.....	N. A.

## Lubricant

Lubricant type.....	Polyo Ester(POE)
Lubricant Viscosity at 40°C	
Domestic .....	RB-15HY-SN or RL15M
Export.....	RB-15HY-SN or RL15M
Initial charge .....	120±10ml
Recharge .....	85%

Tray Holder .....

N. A.

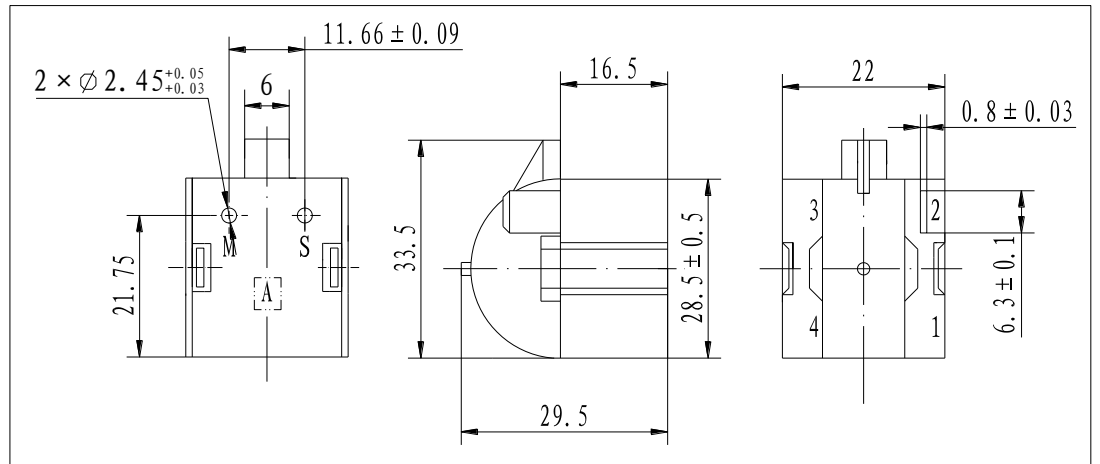
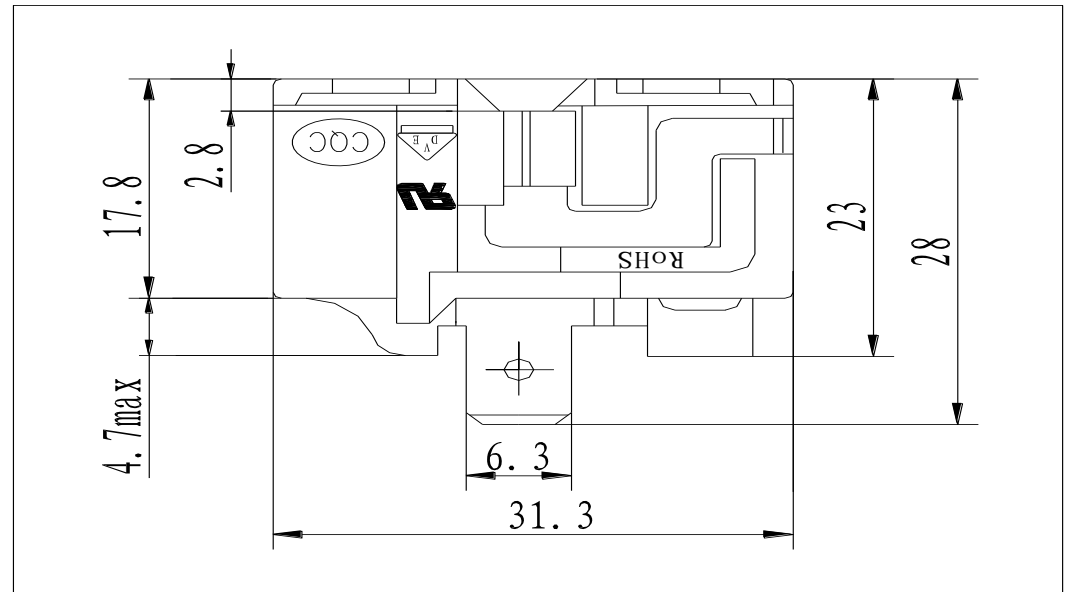
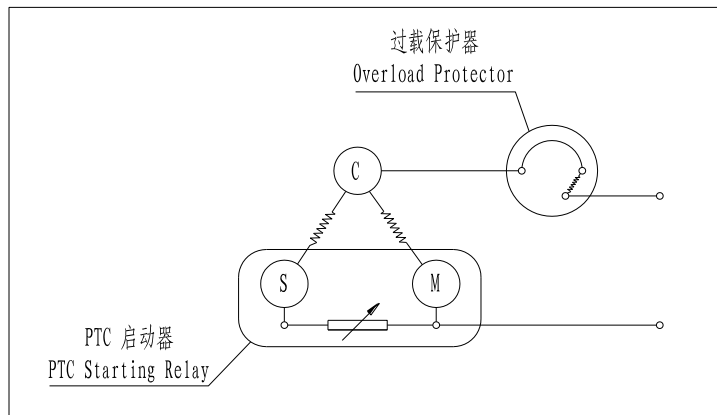
Earth plate.....

N. A.

Approved Certification.....

VDE

## Wire Drawing



Cover & Accessories

