

WLY Precision Balances

Maximum functionality and unlimited possibilities in professional mass measurement processes



WLY D2



WLY F1/R
direct indicator-platform connection



WLY F1/K
1 m cable connection



WLY C2/R
direct indicator-platform connection



WLY C2/K
2.5 m cable connection

Functions

- | | | | | |
|---|--|---|--|---|
|  Parts counting |  Percent weighing |  Density determination |  Labelling |  Proximity sensors |
|  Dosing |  Statistics |  Peak hold |  Totalizing |  Replaceable unit |
|  Checkweighing |  Animal weighing |  Differential weighing |  Under hook weighing |  Multilingual menu |
|  Formulations | | | | |

Features

Reliable Results and High Measurement Precision

Excellent measurement parameters and performance enable applying WLY balances in laboratories and numerous industry areas.

Multifunctional Software and Unlimited Capabilities

Broad range of functions and applications for weighing and cooperation with peripheral equipment (barcode scanners, printers, etc.) make WLY balance a powerful weighing instrument.

Labelling System

Special software and cooperation with labellers enable printing out labels for currently measured samples and products (e.g. in the packaging process).

Intuitive Operation and Touch Screen

5.7" colour touch screen enables intuitive operation and easy access to numerous applications and functions of the weighing instrument.

Numerous Variants of Weighing Pan Dimensions

Numerous variants of weighing pan dimensions enable selecting the best weighing instrument suiting specific requirements and needs of a particular user.

Wide Capacity Range for Different Applications

Due to an exceptionally wide range of capacities it is possible to work with samples of different weight, from few grams to even over one hundred kilograms.

Technical Specifications

| | WLY 1/D2 | WLY 2/D2 | WLY 6/D2 | WLY 10/D2 | WLY 20/D2 |
|--|-------------------------------------|-------------------------------------|-------------------------------------|-------------------------------------|-------------------------------------|
| Maximum capacity [Max] | 1 kg | 2 kg | 6 kg | 10 kg | 20 kg |
| Minimum load | — | — | 5 g | — | — |
| Readability [d] | 0.01 g | 0.01 g | 0.1 g | 0.1 g | 0.1 g |
| Verification scale interval [e] | — | — | 1 g | — | — |
| Tare range | -1 kg | -2 kg | 6 kg | -10 kg | -20 kg |
| Repeatability* | 0.03 g | 0.03 g | 0.1 g | 0.3 g | 0.3 g |
| Linearity | ± 0.03 g | ± 0.03 g | ± 0.1 g | ± 0.3 g | ± 0.3 g |
| Stabilization time | 3 s | 3 s | 3 s | 3 s | 3 s |
| Adjustment | external | external | — | external | external |
| Verification | — | — | Yes | — | — |
| OIML Class | — | — | II | — | — |
| Indicator fastening | 35 cm cable | 35 cm cable | 35 cm cable | 35 cm cable | 35 cm cable |
| Display | 5.7" colour, resistive touch screen | 5.7" colour, resistive touch screen | 5.7" colour, resistive touch screen | 5.7" colour, resistive touch screen | 5.7" colour, resistive touch screen |
| Keypad | 8 keys | 8 keys | 8 keys | 8 keys | 8 keys |
| Protection class | IP 43 | IP 43 | IP 43 | IP 43 | IP 43 |
| Databases | 14 | 14 | 14 | 14 | 14 |
| Touch-free operation | 2 programmable proximity sensors | 2 programmable proximity sensors | 2 programmable proximity sensors | 2 programmable proximity sensors | 2 programmable proximity sensors |
| USB-A | 2 | 2 | 2 | 2 | 2 |
| RS 232 | 2 | 2 | 2 | 2 | 2 |
| Wireless connection | 802.11 b/g/n | 802.11 b/g/n | 802.11 b/g/n | 802.11 b/g/n | 802.11 b/g/n |
| Ethernet | 10 / 100 Mbit | 10 / 100 Mbit | 10 / 100 Mbit | 10 / 100 Mbit | 10 / 100 Mbit |
| IN/OUT | 4 × IN, 4 × OUT | 4 × IN, 4 × OUT | 4 × IN, 4 × OUT | 4 × IN, 4 × OUT | 4 × IN, 4 × OUT |
| Power supply | 13.5 ÷ 16 V DC | 13.5 ÷ 16 V DC | 13.5 ÷ 16 V DC | 13.5 ÷ 16 V DC | 13.5 ÷ 16 V DC |
| Power consumption | 12 W | 12 W | 12 W | 12 W | 12 W |
| Operating temperature | +15 ÷ +30 °C | +15 ÷ +30 °C | +15 ÷ +30 °C | +15 ÷ +30 °C | +15 ÷ +30 °C |
| Atmospheric humidity**** | 10 ÷ 85% RH | 10 ÷ 85% RH | 10 ÷ 85% RH | 10 ÷ 85% RH | 10 ÷ 85% RH |
| Transport and storage temperature | -25 ÷ +70 °C | -25 ÷ +70 °C | -25 ÷ +70 °C | -25 ÷ +70 °C | -25 ÷ +70 °C |
| Weighing pan dimensions | 195 × 195 mm | 195 × 195 mm | 195 × 195 mm | 195 × 195 mm | 195 × 195 mm |
| Weighing device dimensions | 403 × 216 × 82 mm | 403 × 216 × 82 mm | 403 × 216 × 82 mm | 403 × 216 × 82 mm | 403 × 216 × 82 mm |
| Net weight | 2,7 kg | 2,7 kg | 2,7 kg | 2,7 kg | 2,7 kg |
| Gross weight | 3,6 kg | 3,6 kg | 3,6 kg | 3,6 kg | 3,6 kg |
| Packaging dimensions | 490 × 300 × 150 mm | 490 × 300 × 150 mm | 490 × 300 × 150 mm | 490 × 300 × 150mm | 490 × 300 × 150mm |

* repeatability is expressed as a standard deviation from 10 weighing cycles

** non-condensing conditions

In accordance with type approval, the balance parameters are maintained in temperature range: +15 ÷ +35 °C.

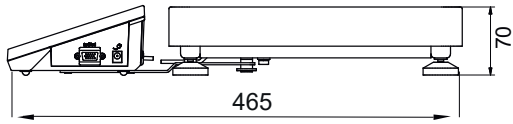
| | WLY 6/F1/R WLY 6/F1/K | WLY 12/F1/R WLY 12/F1/K | WLY 30/F1/R WLY 30/F1/K | WLY 60/C2/R WLY 60/C2/K | WLY 120/C2/R WLY 120/C2/K |
|--|---|---|---|--|--|
| Maximum capacity [Max] | 6 kg | 12 kg | 30 kg | 60 kg | 120 kg |
| Minimum load | 5 g | — | — | 50 g | — |
| Readability [d] | 0.1 g | 0.2 g | 0.5 g | 1 g | 2 g |
| Verification scale interval [e] | 1 g | — | — | 10 g | — |
| Tare range | -6 kg | -12 kg | -30 kg | -60 kg | -120 kg |
| Repeatability* | 0.1 g | 0.6 g | 1.5 g | 1 g | 2 g |
| Linearity | ±0.1 g | ±0.6 g | ±1.5 g | ±1 g | ±2 g |
| Stabilization time | 3 s | 3 s | 3 s | 3 s | 3 s |
| Adjustment | — | external | external | — | external |
| Verification | Yes | — | — | Yes | — |
| OIML Class | II | — | — | II | — |
| Indicator fastening | direct connection (R), 1 m cable connection (K) | direct connection (R), 1 m cable connection (K) | direct connection (R), 1 m cable connection (K) | direct connection (R) 2.5 m cable connection (K) | direct connection (R) 2.5 m cable connection (K) |
| Display | 5.7" colour, resistive touch screen | 5.7" colour, resistive touch screen | 5.7" colour, resistive touch screen | 5.7" colour, resistive touch screen | 5.7" colour, resistive touch screen |
| Keypad | 8 keys | 8 keys | 8 keys | 8 keys | 8 keys |
| Protection class | IP 43 | IP 43 | IP 43 | IP 43 | IP 43 |
| Databases | 14 | 14 | 14 | 14 | 14 |
| Touch-free operation | 2 programmable proximity sensors | 2 programmable proximity sensors | 2 programmable proximity sensors | 2 programmable proximity sensors | 2 programmable proximity sensors |
| USB-A | 2 | 2 | 2 | 2 | 2 |
| RS 232 | 2 | 2 | 2 | 2 | 2 |
| Wireless connection | 802.11 b/g/n | 802.11 b/g/n | 802.11 b/g/n | 802.11 b/g/n | 802.11 b/g/n |
| Ethernet | 10 / 100 Mbit | 10 / 100 Mbit | 10 / 100 Mbit | 10 / 100 Mbit | 10 / 100 Mbit |
| IN/OUT | 4 × IN, 4 × OUT | 4 × IN, 4 × OUT | 4 × IN, 4 × OUT | 4 × IN, 4 × OUT | 4 × IN, 4 × OUT |
| Power supply | 13.5 ÷ 16 V DC | 13.5 ÷ 16 V DC | 13.5 ÷ 16 V DC | 13.5 ÷ 16 V DC | 13.5 ÷ 16 V DC |
| Power consumption | 12 W | 12 W | 12 W | 12 W | 12 W |
| Operating temperature | +15 ÷ +30 °C | +15 ÷ +30 °C | +15 ÷ +30 °C | +15 ÷ +30 °C | +15 ÷ +30 °C |
| Atmospheric humidity**** | 10 ÷ 85% RH | 10 ÷ 85% RH | 10 ÷ 85% RH | 10 ÷ 85% RH | 10 ÷ 85% RH |
| Transport and storage temperature | -25 ÷ +70 °C | -25 ÷ +70 °C | -25 ÷ +70 °C | -25 ÷ +70 °C | -25 ÷ +70 °C |
| Weighing pan dimensions | 300 × 300 mm | 300 × 300 mm | 300 × 300 mm | 500 × 400 mm | 500 × 400 mm |
| Weighing device dimensions | 465 × 300 × 70 mm | 465 × 300 × 70 mm | 465 × 300 × 70 mm | 567 × 502 × 105 mm | 567 × 502 × 105 mm |
| Net weight | 5,2 kg | 5,2 kg | 5,2 kg | 12,5 kg | 12,5 kg |
| Gross weight | 6 kg | 6 kg | 6 kg | 15 kg | 15 kg |
| Packaging dimensions | 570 × 390 × 170 mm | 570 × 390 × 170 mm | 570 × 390 × 170 mm | 720 × 580 × 220 mm | 720 × 580 × 220 mm |

* repeatability is expressed as a standard deviation from 10 weighing cycles

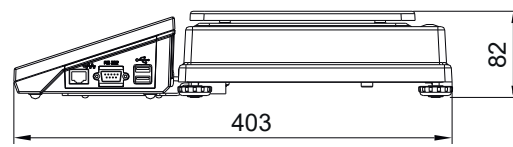
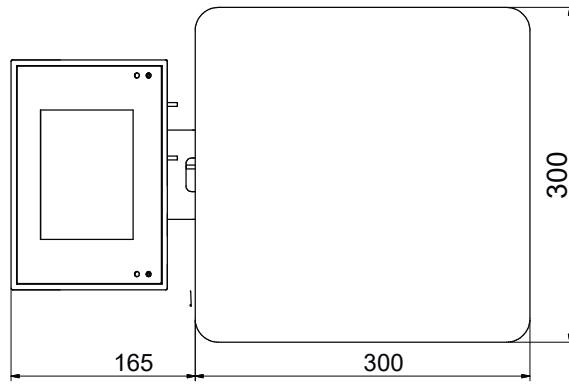
** non-condensing conditions

In accordance with type approval, the balance parameters are maintained in temperature range: +15 ÷ +35 °C.

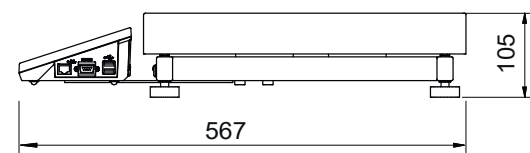
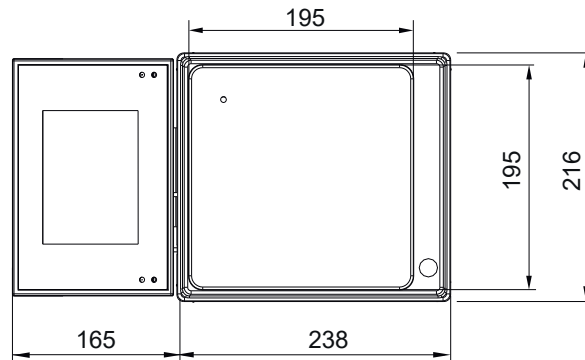
Dimensions



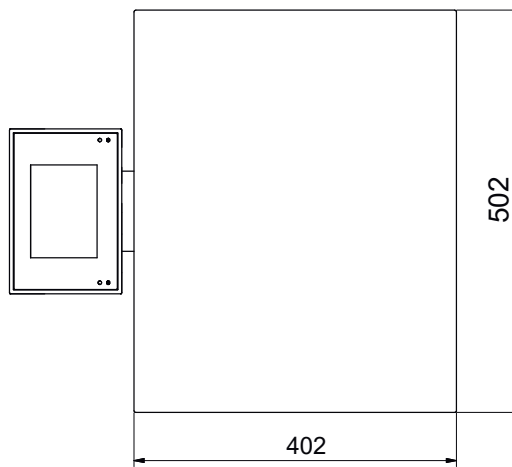
F1 version



D2 version



C2 version



Accessories

Weighing Tables

- granite antivibration table

Peripheral Devices

- Epson dot matrix printer
- barcode scanners
- WD-4/1 LCD display

Cables, Converters

- P0108: RS 232 cable (balance-computer)
- P0167: RS 232 cable (balance-computer)
- P0151: RS 232 cable (balance - Epson printer)
- PT0128 cable
- AP2-1 power loop output

Dedicated Software

Label Editor R02

- designing label templates
- sending graphics and fonts to label printers
- printing label templates using connected printers

LabView Driver

- operation of RADWAG balances in LabView environment

R.Barcode

- display of data sent via barcode scanner
- display of detailed data sent via the weighing device

RADWAG Connect

- balance-computer (scale-computer) or balance-tablet (scale-tablet) connection via local area network
- operation of basic functions of the weighing device via connected mobile devices
- option of connecting few weighing devices at a time and switching from one to a nother

R-LAB

- collecting measurements
- carrying out statistical analysis of measurements
- customized graphs and reports

RADWAG Remote Desktop

- remote operation via computer, mobile phone or tablet
- sending text messages
- version for Windows 10 and Android systems

E2R Weighings

- record of measurements carried out using the weighing indicators
- online monitoring of the production lines
- weighing thresholds control
- employees working time reporting

E2R Weighing Records

- complete, automated databases synchronization
- fully supported processes of labelling and parts counting
- record of weighings, weighings archiving
- basic and advanced (with graphs) reports

E2R Formulations

- carrying out simple formulations
- support of an advanced formulations orders function
- warehouse management
- optional automatic dispensing and constant correction of the dispensing process
- control of an ingredient using the barcode scanner